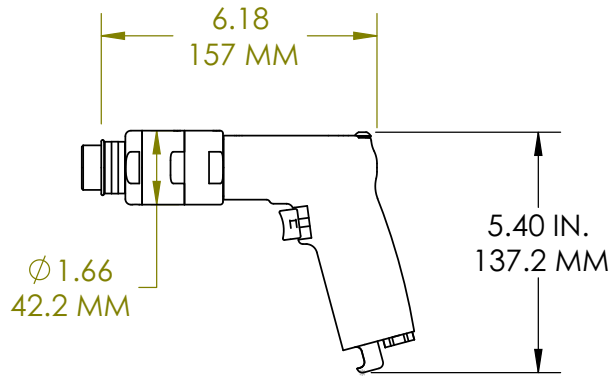


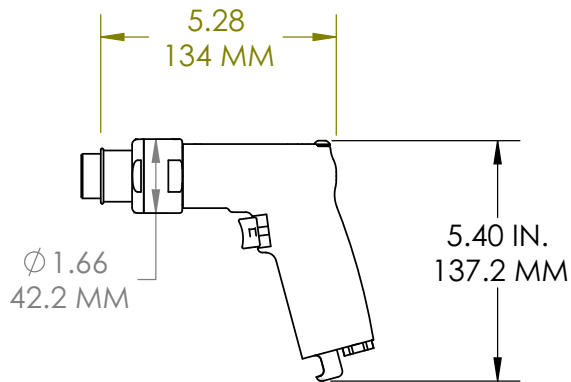
JIFFY MODULAR INSTALLATION (JMI)
 .85 H.P., OFFSET HANDLE
 REVERSE RUNNING



RPM	ORDER NUMBER	WEIGHT
250	18110	1.84 LB / .83 KG



RPM	ORDER NUMBER	WEIGHT
500	17939	1.64 LB / .74 KG



PHONE: I 775 883 1072 FAX: I 775 883 4857