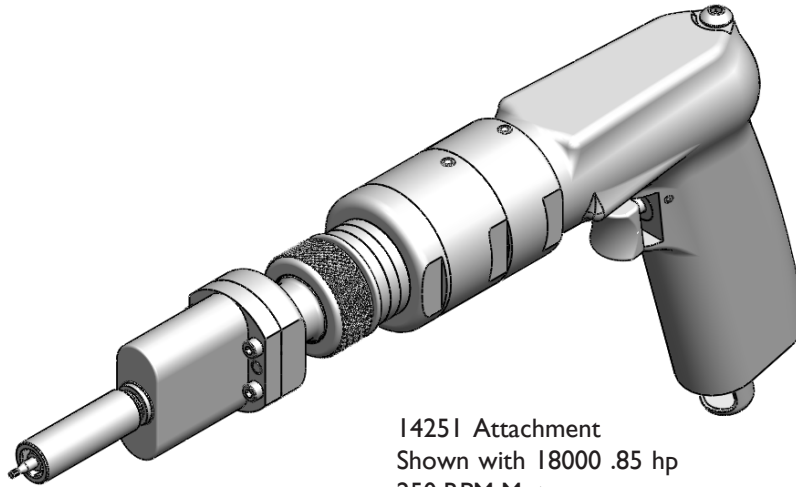


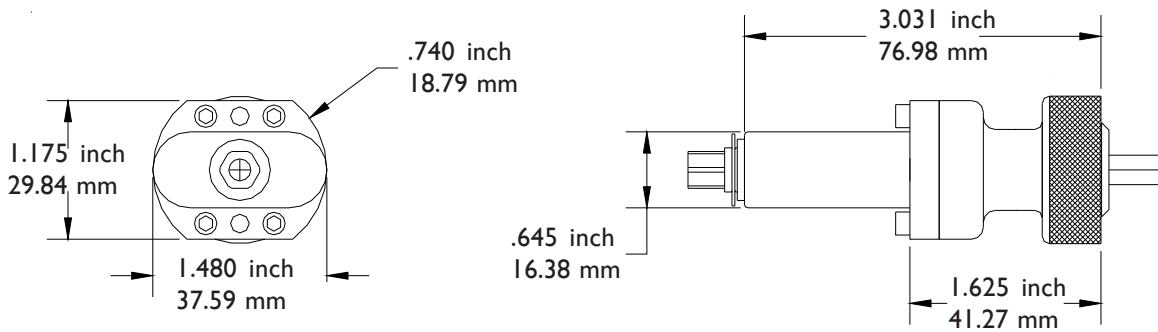
STRAIGHT INSTALL SERIES 2

160 Inch Lbs / 18.0 Nm

I425I straight install attachment

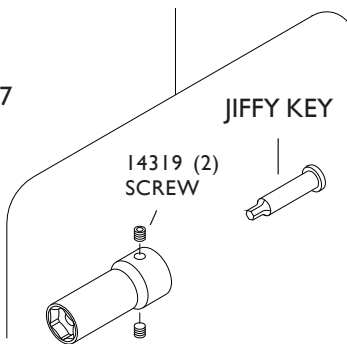


I425I Attachment
Shown with 18000 .85 hp
250 RPM Motor



SOCKET ACCESSORY ASSEMBLY

Series 2 Straight Install
Socket Accessories begin on page 87



PHONE: 775 883 1072 FAX: 775 883 4857