

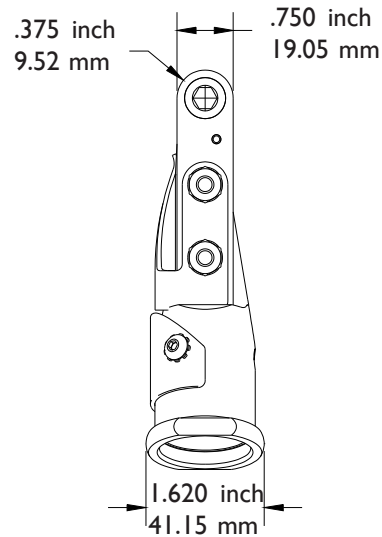
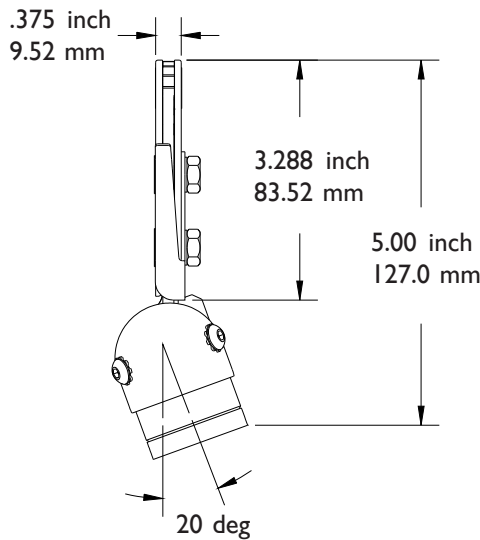
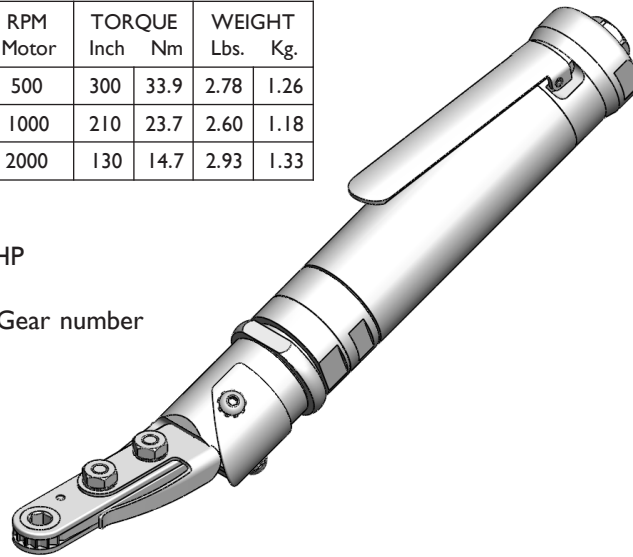
20 DEGREE RATCHET

20684 3/4" x 3/8" Ratchet Attachment

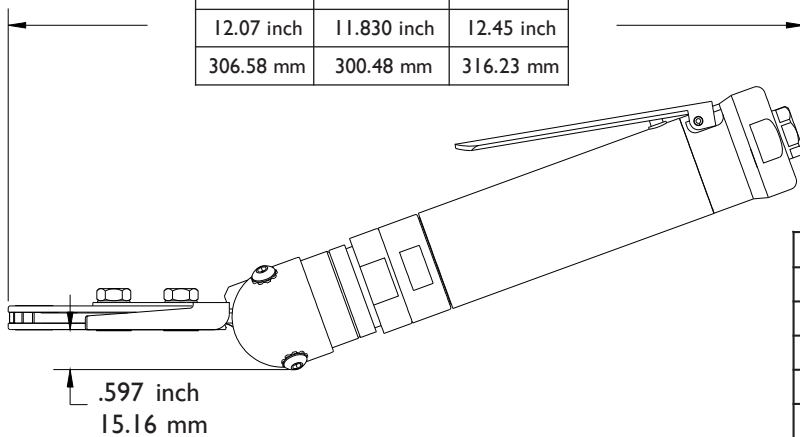


TOOL #	RPM	RPM	TORQUE		WEIGHT	
	Fastener	Motor	Inch	Nm	Lbs.	Kg.
20053-20684	72	500	300	33.9	2.78	1.26
20054-20684	143	1000	210	23.7	2.60	1.18
20055-20684	286	2000	130	14.7	2.93	1.33

20684 Attachment
 Shown with 20054 .85 HP
 1000 RPM Motor
 TOOL # 20054-20684-Gear number



500 RPM	1000 RPM	2000 RPM
12.07 inch	11.830 inch	12.45 inch
306.58 mm	300.48 mm	316.23 mm



FOR TWELVE POINT CONFIGURATION
 ADD X TO RATCHET GEAR PART NO.

RATCHET GEARS		
PART NO.	HEX SIZE	TYPE
15486	7/32	HEX THRU
9933	1/4	HEX THRU
1591	11/32	HEX THRU
1589	7/16	HEX THRU
1593	5/16	HEX THRU
1595	3/8	HEX THRU
14216	9/32	HEX THRU