

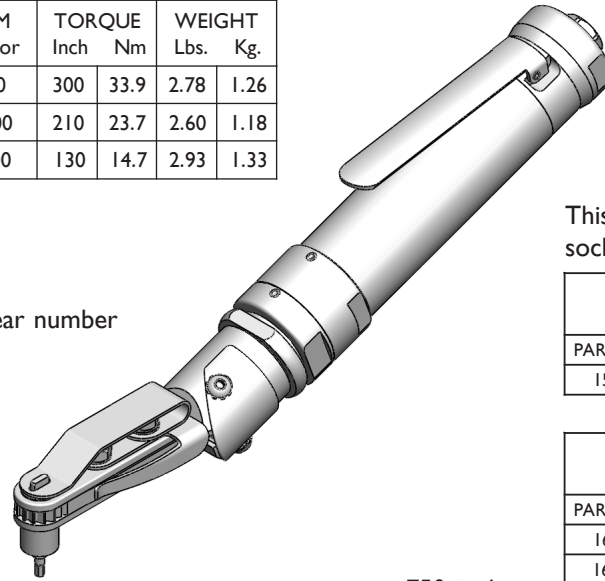
20 DEGREE RATCHET

19992 3/4" x 1/2" Ratchet Attachment



TOOL #	RPM Fastener	RPM Motor	TORQUE		WEIGHT	
			Inch	Nm	Lbs.	Kg.
20053-19992	72	500	300	33.9	2.78	1.26
20054-19992	143	1000	210	23.7	2.60	1.18
20055-19992	286	2000	130	14.7	2.93	1.33

19992 Attachment
 Shown with 20053 .85 HP
 500 RPM Motor
 TOOL # 20053-19992- Gear number



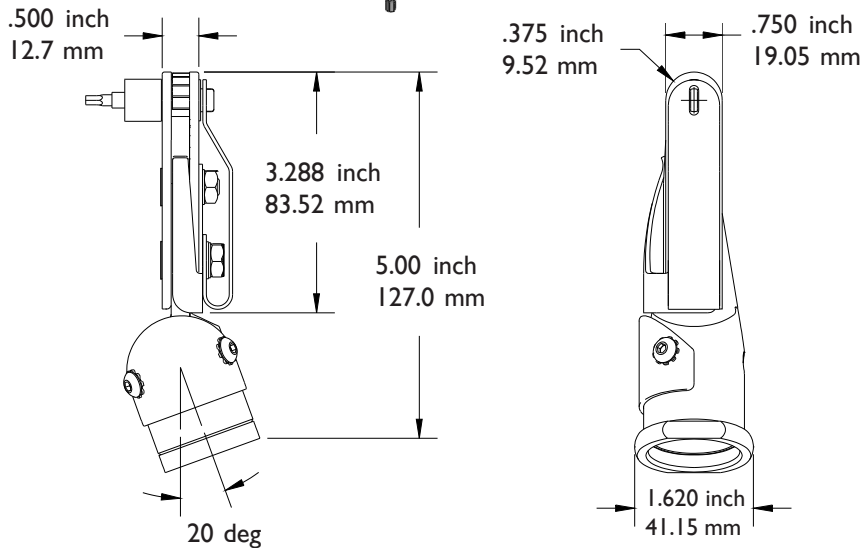
This tool uses series 2/3 sockets and keys Page 71

SOCKET DRIVER GEAR SEE SERIES 2/3 SOCKET TABLES		
PART NO.	HEX SIZE	TYPE
15424	9/32	SOCKET DRIVER

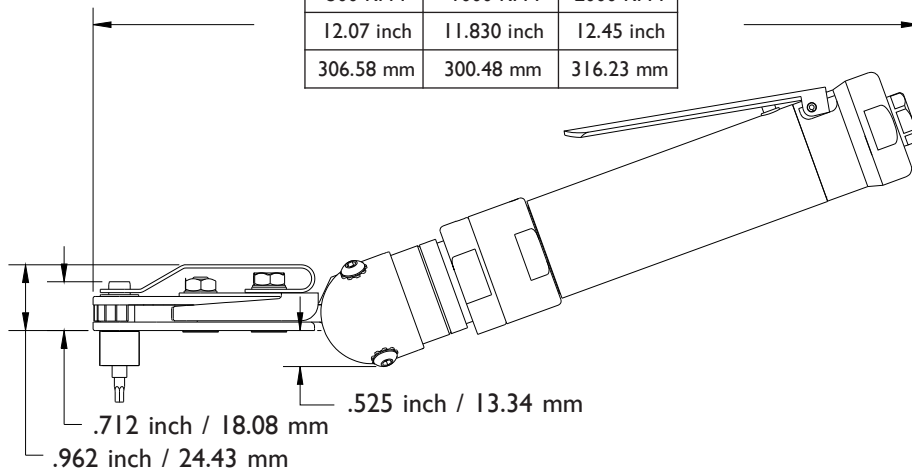
RATCHET GEARS FLUSH SOCKET BUILT INTO GEAR		
PART NO.	HEX SIZE	TYPE
16105	7/32	FLUSH
16106	9/32	FLUSH
16107	5/16	FLUSH
16108	11/32	FLUSH
16109	7/16	FLUSH
16110	3/8	FLUSH

FLUSH HEX KEYS	
PART NO.	HEX SIZE
18155	1/16
18156	5/64
18157	3/32
18158	1/8
18935	5/32
18936	3/16

FOR TWELVE POINT CONFIGURATION
 ADD X TO RATCHET GEAR PART NO.



500 RPM	1000 RPM	2000 RPM
12.07 inch	11.830 inch	12.45 inch
306.58 mm	300.48 mm	316.23 mm



RATCHET GEARS HEX THRU		
PART NO.	HEX SIZE	TYPE
15488	7/32	HEX THRU
9947	1/4	HEX THRU
10781	9/32	HEX THRU
1429	5/16	HEX THRU
1447	7/16	HEX THRU
1445	11/32	HEX THRU
1430	3/8	HEX THRU
1412	3/8-1/2 EXT	HEX THRU