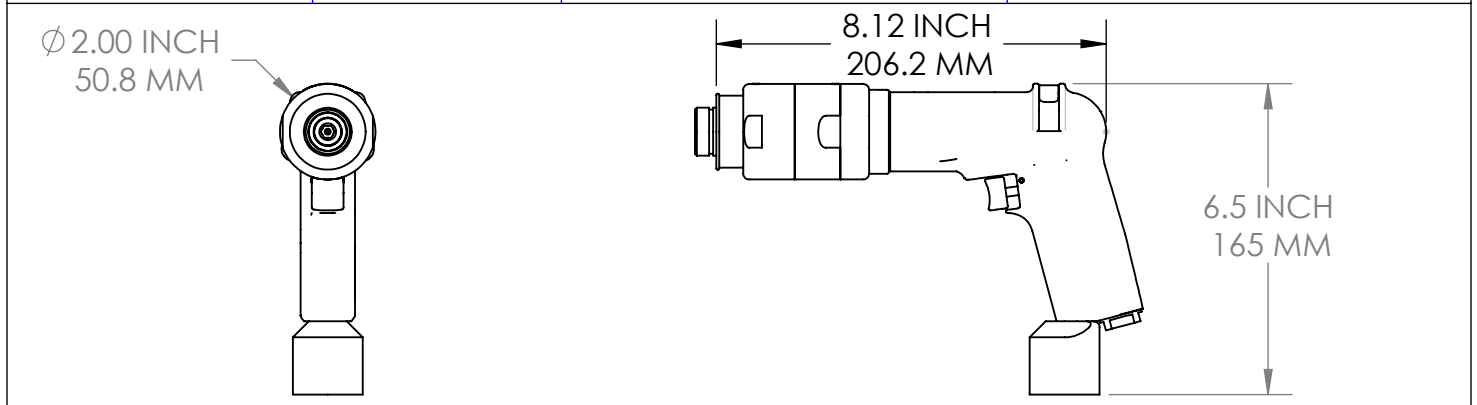
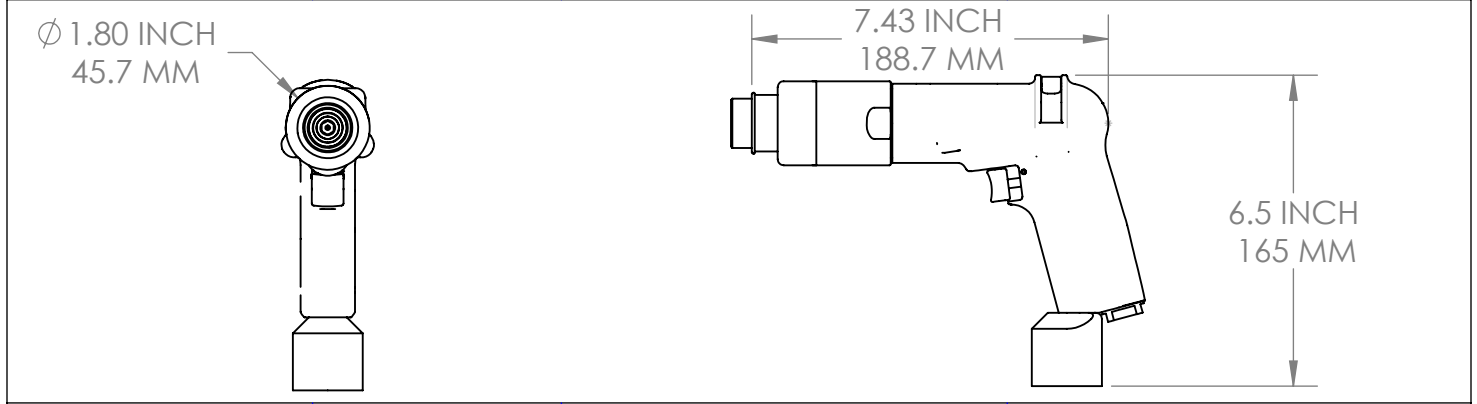


JIFFY MODULAR INSTALLATION MOTOR (JMI) .90 H.P. REVERSIBLE - OFFSET HANDLE

RPM	DRIVE HEX	ORDER NUMBER	WEIGHT
200	1/4	19963	3.73 LB / 1.70 KG
200	3/8	19964	3.73 LB / 1.70 KG



RPM	DRIVE HEX	ORDER NUMBER	WEIGHT
250	1/4	21546	3.10 LB / 1.40 KG
250	3/8	21547	3.10 LB / 1.40 KG



RPM	DRIVE HEX	ORDER NUMBER	WEIGHT
500	1/4	21521	2.80 LB / 1.30 KG
500	3/8	21522	2.80 LB / 1.30 KG

