

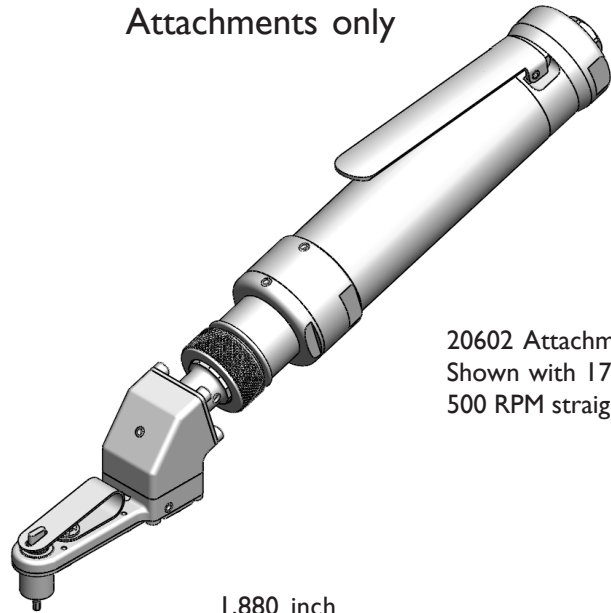
17 DEG SERIES 1 60 Inch Lbs / 6.77 Nm



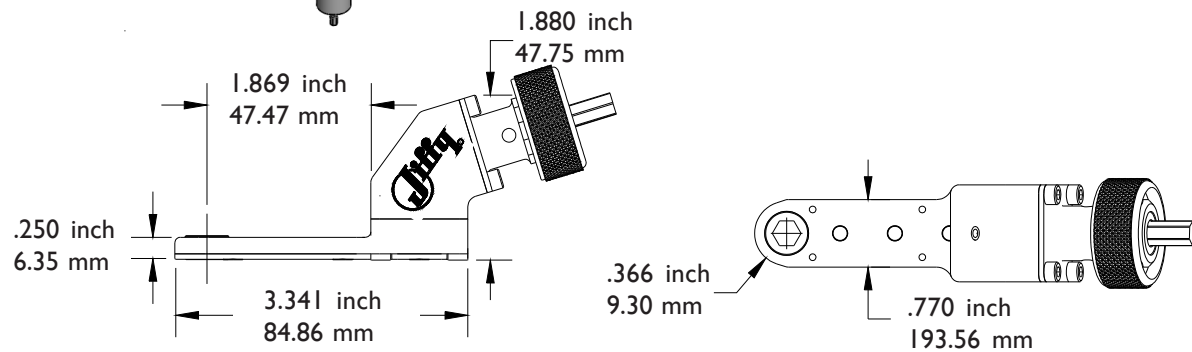
17 DEGREE FIXED INSTALLATION

.366 inch / 9.30mm center to edge distance

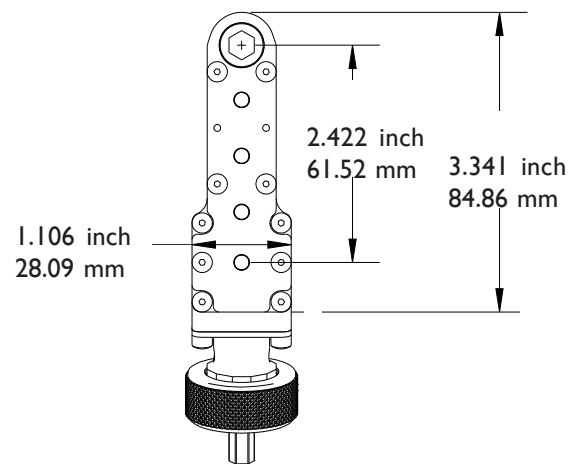
Attachments only



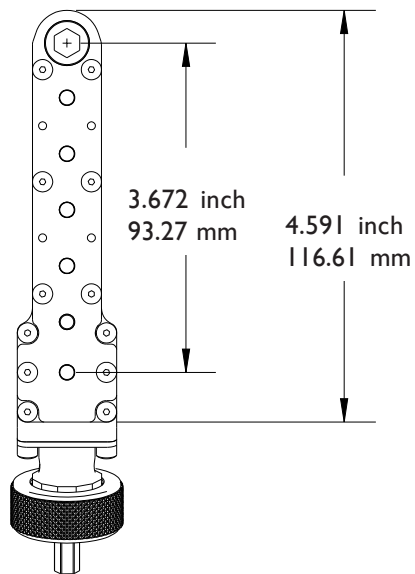
20602 Attachment
Shown with 17676 .85 hp
500 RPM straight motor



You must select a nose gear to order an attachment. See the nose gear tables for information on the variety of ways our attachments will adapt to your fastener.



20602 ATTACHMENT



20605 ATTACHMENT

PHONE: 775 883 1072 FAX: 775 883 4857

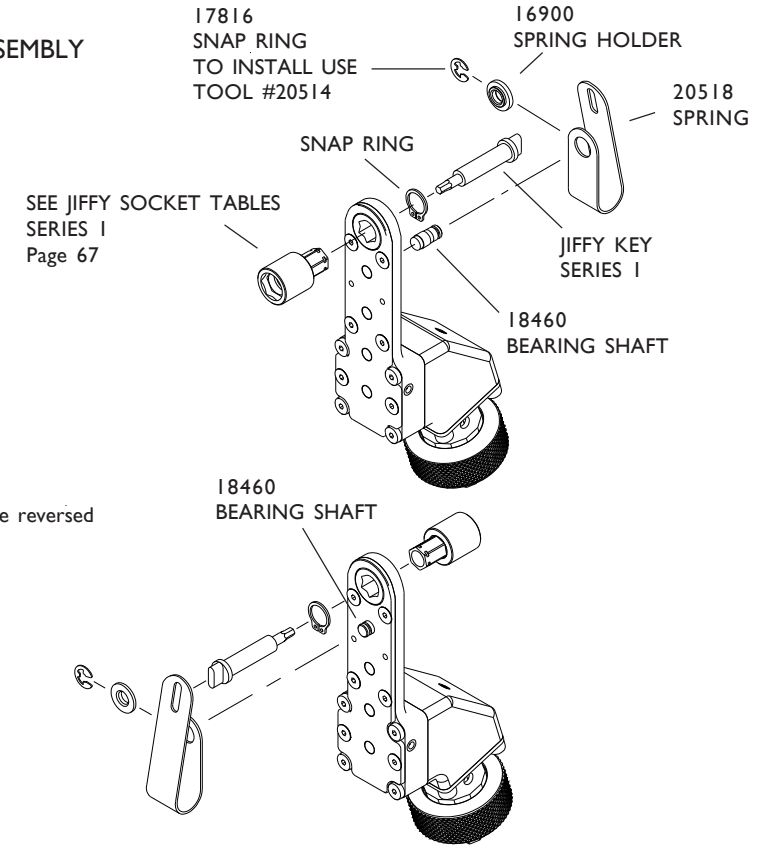
17 DEG SERIES 1 60 Inch Lbs / 6.77 Nm



17 DEGREE FIXED INSTALLATION

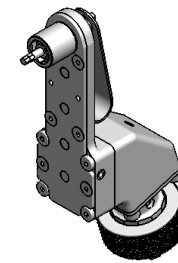
.366 inch / 9.30mm center to edge distance

20450
JIFFY KEY CONTROL ASSEMBLY



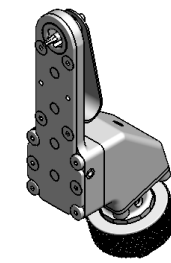
For BACK DRIVE setup the 18460 bearing shaft must be reversed. You must specify BACK DRIVE when ordering. Reversible or reverse running motor required.

Nose Gear Selection



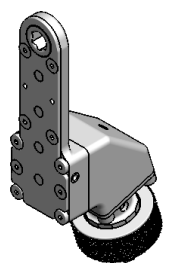
The SOCKET DRIVER will adapt the attachment to accept Series 1 Sockets starting on Page 67. Order with or without the Jiffy Key System.

PART NO.	SIZE	TYPE
20515	9/32	SOCKET DRIVER
20516	1/4	SQ. DRIVE MALE



HEX FLUSH
The socket is built into the nose gear. Choose the Hex Flush gear and Key from the table or order without the Jiffy Key System.

PART NO.	SIZE	TYPE
20403	7/32	HEX FLUSH
20404	1/4	HEX FLUSH
20405	9/32	HEX FLUSH
20406	5/16	HEX FLUSH
20407	11/32	HEX FLUSH
JIFFY KEYS FLUSH		
KEY HEX	1/16	5/64 3/32
PART NO.	18932	18933 18934



HEX THRU
The hex listed runs completely through the nose gear. No key system is used.

PART NO.	HEX SIZE	TYPE
20477	7/32	HEX THRU
20478	1/4	HEX THRU
15466	9/32	HEX THRU
15467	5/16	HEX THRU
15468	11/32	HEX THRU

PHONE: 775 883 1072 FAX: 775 883 4857