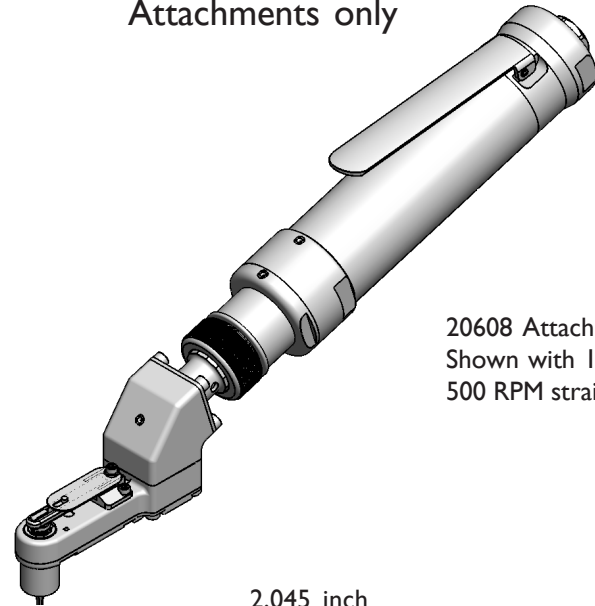
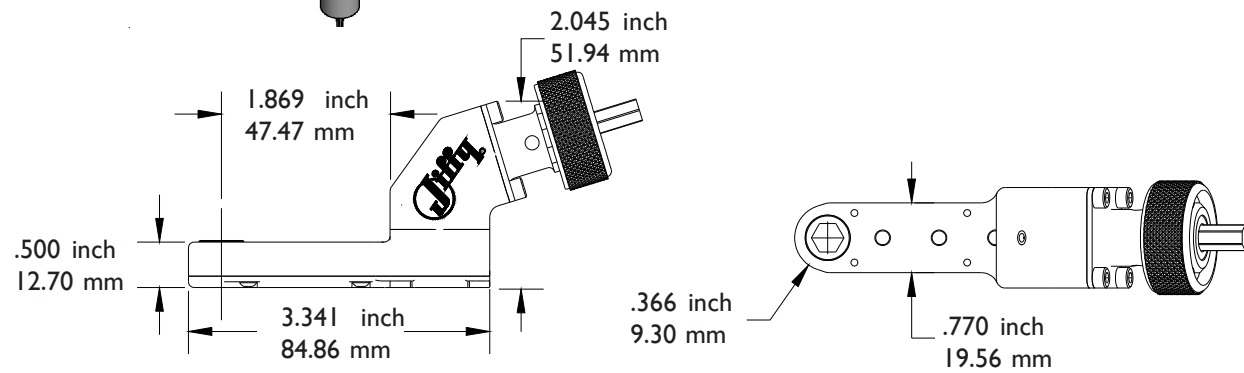


17 DEG SERIES 2 120 Inch Lbs / 13.55 Nm

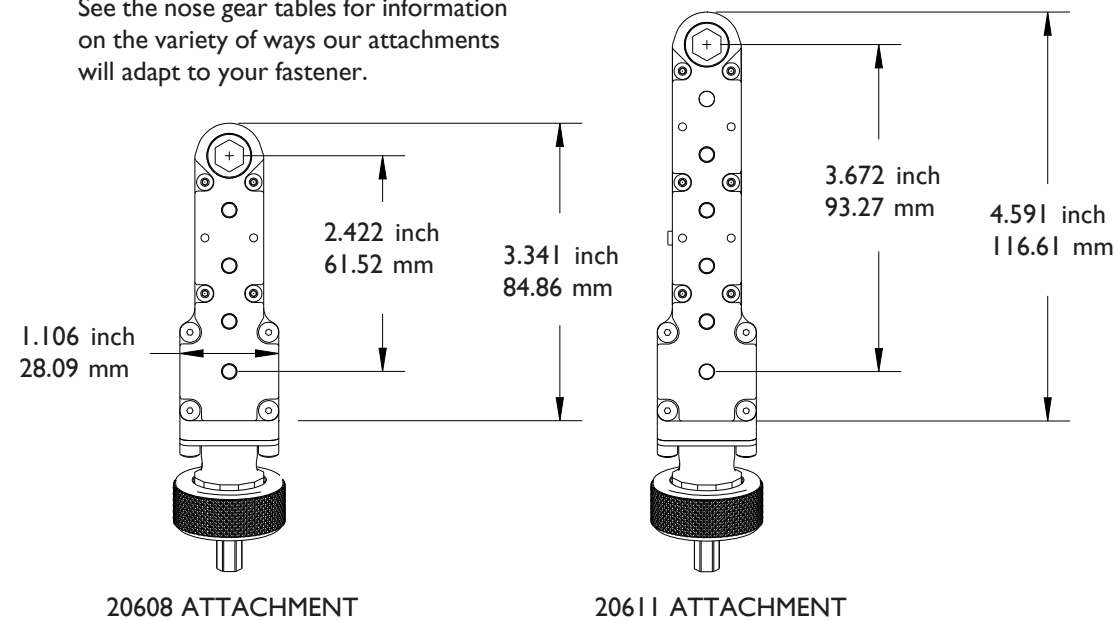
17 DEGREE FIXED INSTALLATION
 .366 inch / 9.30mm center to edge distance
 Attachments only



20608 Attachment
 Shown with 17676 .85 hp
 500 RPM straight motor



You must select a nose gear to order an attachment. See the nose gear tables for information on the variety of ways our attachments will adapt to your fastener.



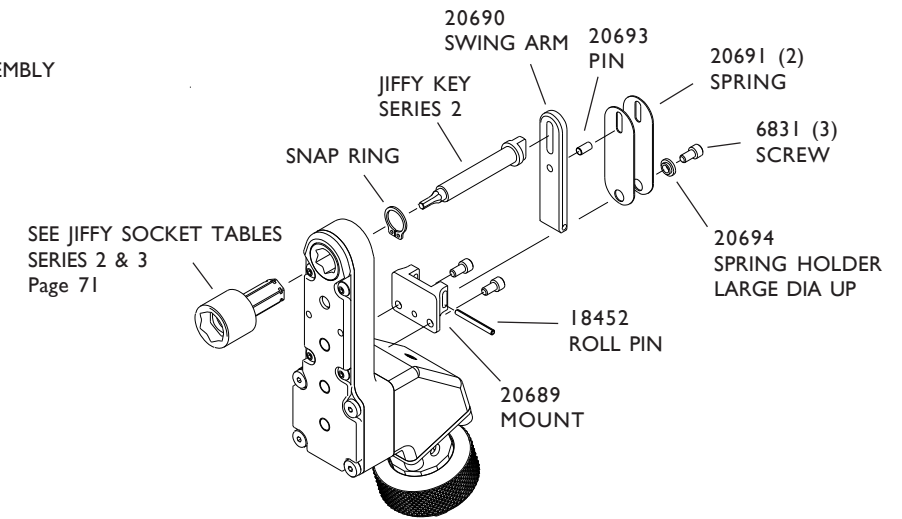
PHONE: 775 883 1072 FAX: 775 883 4857

17 DEG SERIES 2 120 Inch Lbs / 13.55 Nm

17 DEGREE FIXED INSTALLATION
 .366 inch / 9.30mm center to edge distance

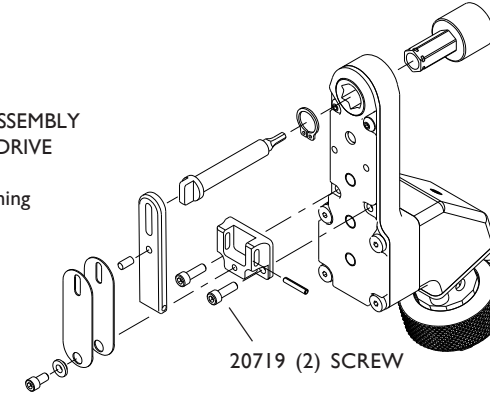


20688
 JIFFY KEY CONTROL ASSEMBLY

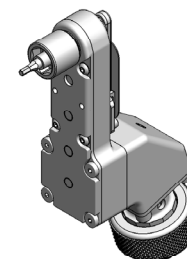


BACKDRIVE

20764
 JIFFY KEY CONTROL ASSEMBLY
 You must specify BACK DRIVE when ordering. Reversible or reverse running motor required. All parts remain the same except as noted.

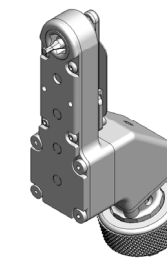


Nose Gear Selection



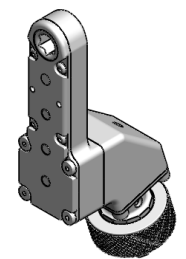
The SOCKET DRIVER will adapt the attachment to accept Series 2 / 3 Sockets starting on Page 71. Order with or without the Jiffy Key System.

PART NO.	SIZE	TYPE
15372	9/32	SOCKET DRIVER
15373	1/4	SQ. DRIVE MALE



HEX FLUSH
 The socket is built into the nose gear. Choose the Hex Flush gear and Key from the table or order without the Jiffy Key System.

PART NO.	HEX SIZE	TYPE
15374	7/32	HEX FLUSH
15375	1/4	HEX FLUSH
15376	9/32	HEX FLUSH
15377	5/16	HEX FLUSH
15460	11/32	HEX FLUSH
JIFFY KEYS FLUSH		
KEY HEX	1/16	5/64 3/32 1/8
PART NO.	18155	18156 18157 18158



HEX THRU
 The hex listed runs completely through the nose gear. No key system is used.

PART NO.	HEX SIZE	TYPE
15379	7/32	HEX THRU
15380	1/4	HEX THRU
15381	9/32	HEX THRU
15337	5/16	HEX THRU
15461	11/32	HEX THRU

PHONE: 775 883 1072 FAX: 775 883 4857