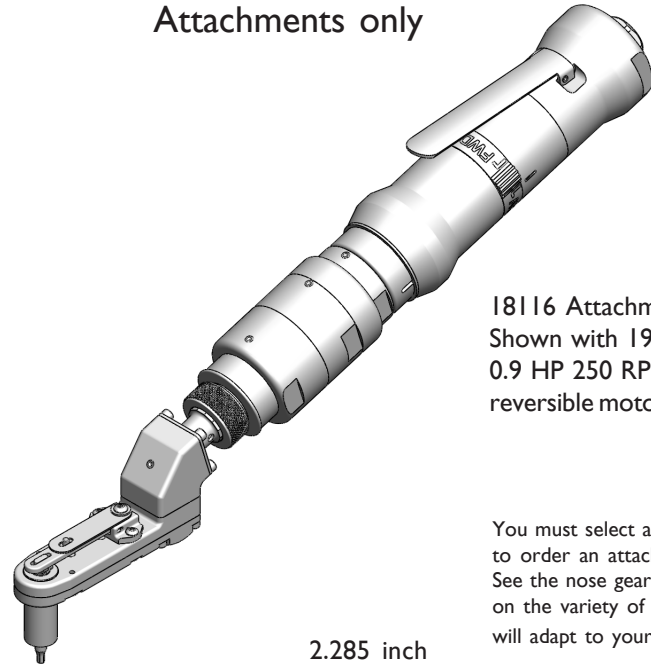


17 DEG SERIES 3 350 Inch Lbs / 39.54 Nm

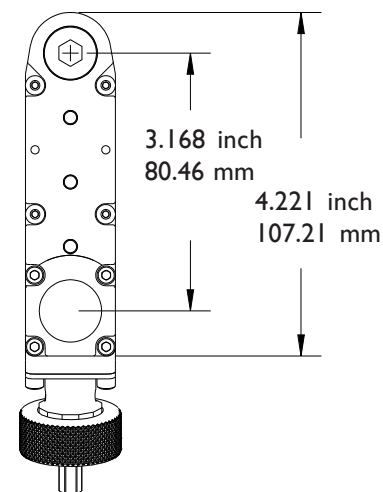
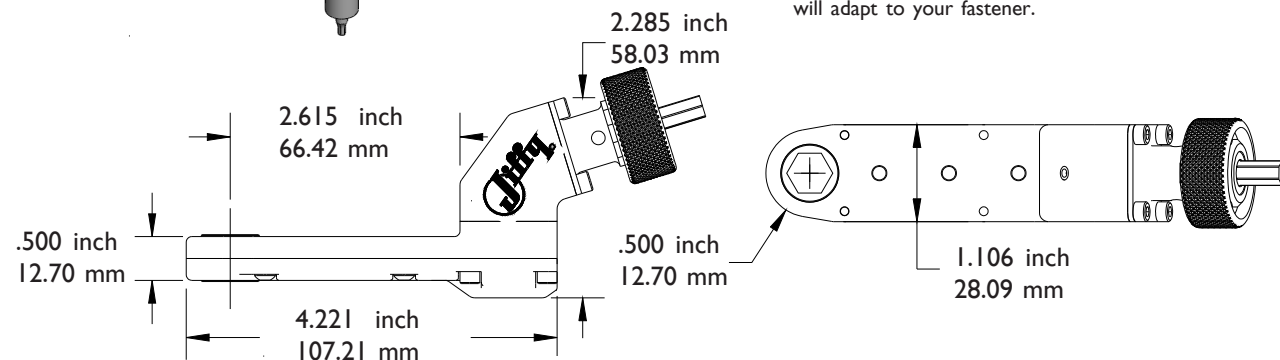


17 DEGREE INSTALLATION FIXED
.500 inch / 12.70 mm center to edge distance
Attachments only

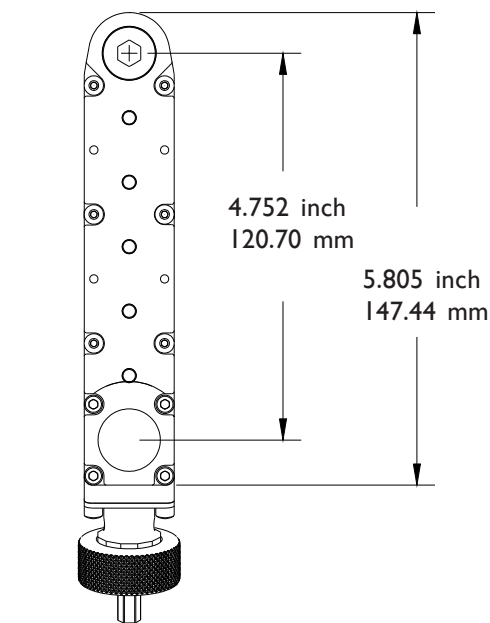


18116 Attachment
Shown with 19960
0.9 HP 250 RPM
reversible motor

You must select a nose gear to order an attachment. See the nose gear tables for information on the variety of ways our attachments will adapt to your fastener.



18116 ATTACHMENT



20078 ATTACHMENT

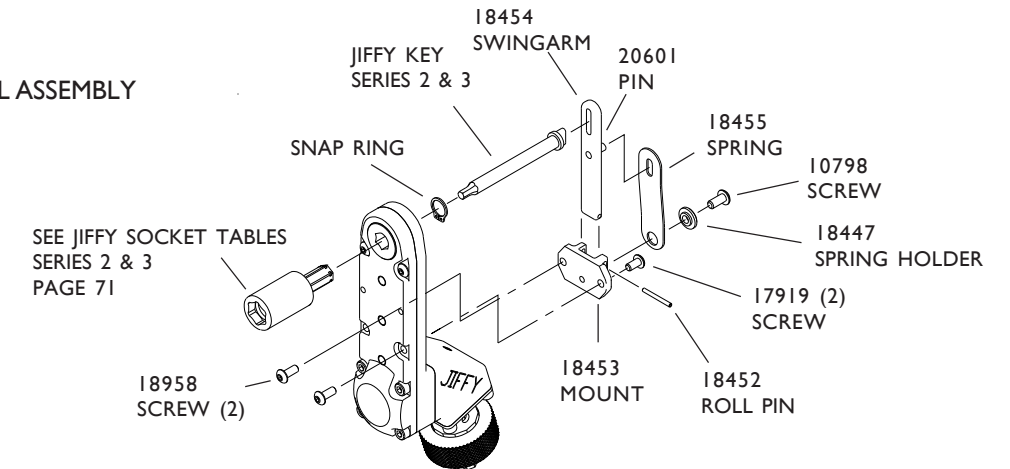
PHONE: 775 883 1072 FAX: 775 883 4857

17 DEG SERIES 3 350 Inch Lbs / 39.54 Nm



17 DEGREE FIXED INSTALLATION
.500 inch / 12.70 mm center to edge distance

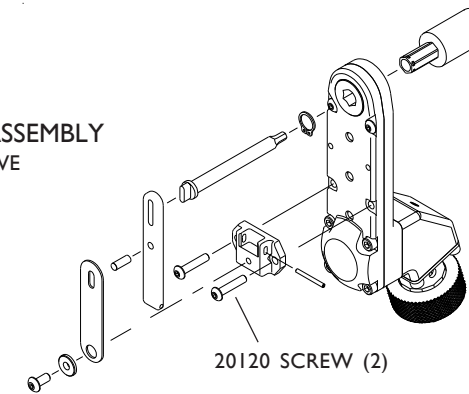
18448 JIFFY KEY CONTROL ASSEMBLY



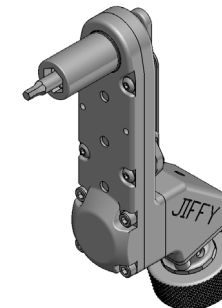
BACKDRIVE

20766 JIFFY KEY CONTROL ASSEMBLY

You must specify BACK DRIVE when ordering. Reversible or reverse running motor required. All parts remain the same except as noted.

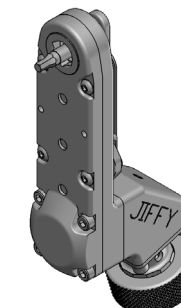


Nose Gear Selection



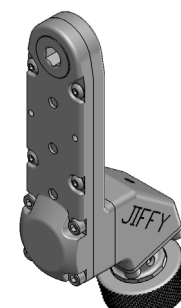
The SOCKET DRIVER will adapt the attachment to accept Series 2 / 3 Sockets starting on Page 71. Order with or without the Jiffy Key System.

PART NO.	SIZE	TYPE
18449	9/32	SOCKET DRIVER
15905	1/4	SQ. DRIVE MALE
20748	3/8	SQ. DRIVE MALE



HEX FLUSH
The socket is built into the nose gear. Choose the Hex Flush gear and Key from the table or order without the Jiffy Key System.

PART NO.	HEX SIZE	TYPE
16038	5/16	HEX FLUSH
15891	7/16	HEX FLUSH
15889	11/32	HEX FLUSH
15890	3/8	HEX FLUSH
JIFFY KEYS FLUSH		
KEY HEX	3/32	1/8 5/32 3/16
PART NO.	18157	18158 18935 18936



HEX THRU
The hex listed runs completely through the nose gear. No key system is used.

PART NO.	HEX SIZE	TYPE
16039	5/16	HEX THRU
15892	11/32	HEX THRU
15893	3/8	HEX THRU
15894	7/16	HEX THRU

PHONE: 775 883 1072 FAX: 775 883 4857