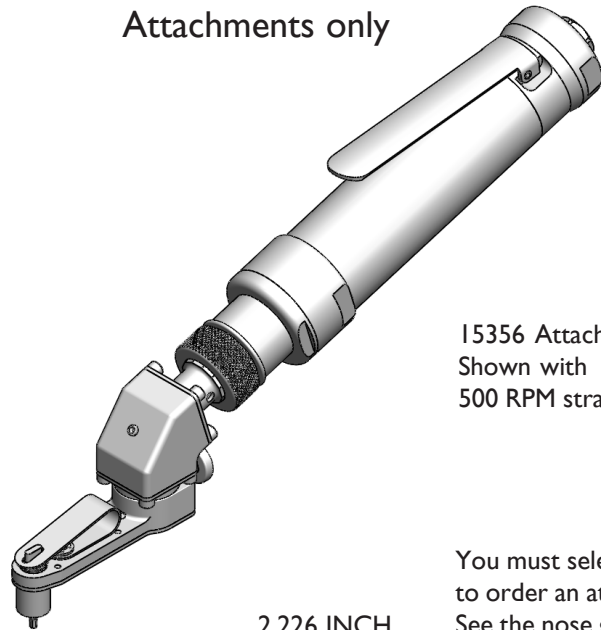


# 17 DEG SERIES 1 60 Inch Lbs / 6.77 Nm



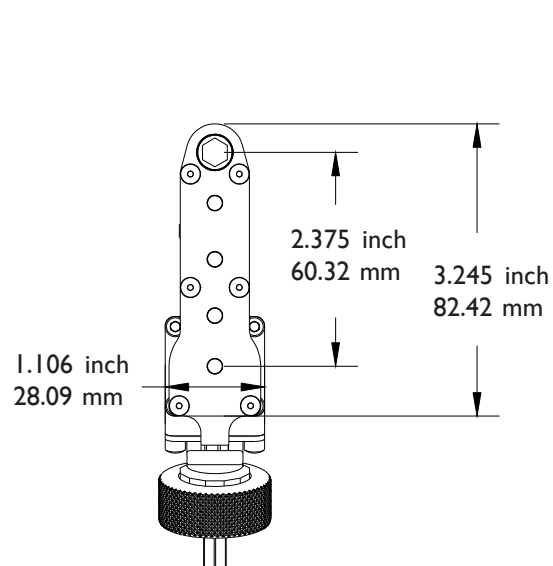
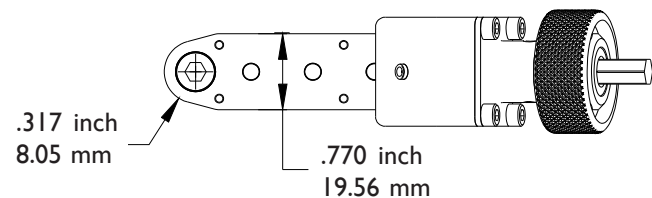
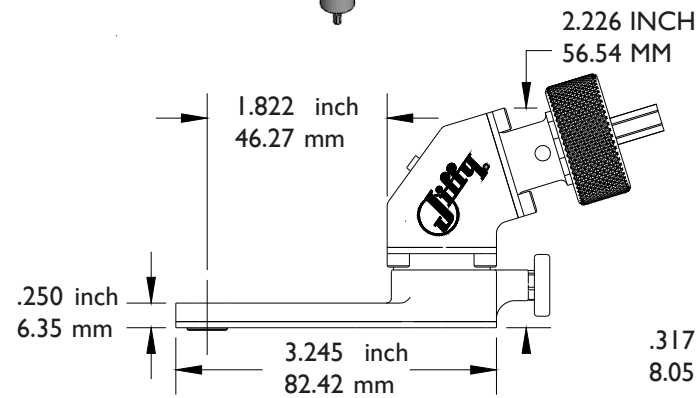
17 DEGREE INDEXABLE INSTALLATION  
.317 inch / 8.05mm center to edge distance

Attachments only

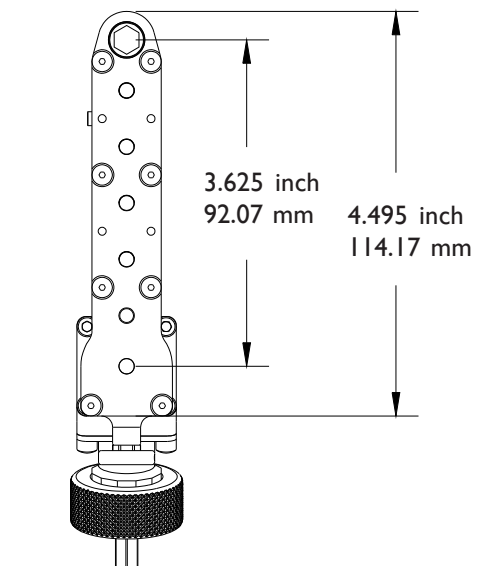


15356 Attachment  
Shown with 17676 .85 hp  
500 RPM straight motor

You must select a nose gear  
to order an attachment.  
See the nose gear tables for information  
on the variety of ways our attachments  
will adapt to your fastener.



15356 ATTACHMENT



17565 ATTACHMENT

PHONE: 775 883 1072 FAX: 775 883 4857

# 17 DEG SERIES 1 60 Inch Lbs / 6.77 Nm



17 DEGREE INDEXABLE INSTALLATION  
.317 inch / 8.05mm center to edge distance

18943  
JIFFY KEY CONTROL ASSEMBLY

17816  
SNAP RING  
TO INSTALL USE  
TOOL #20514

16900  
SPRING HOLDER

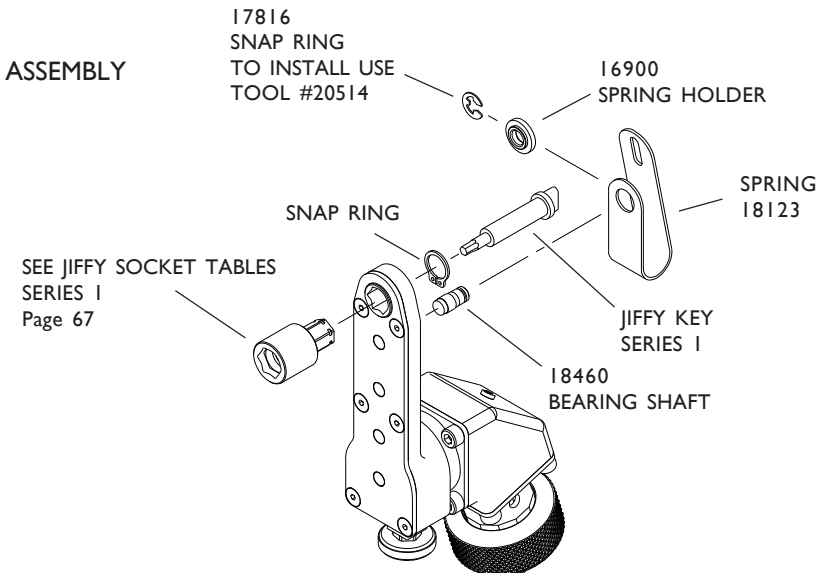
SPRING  
18123

SEE JIFFY SOCKET TABLES  
SERIES I  
Page 67

SNAP RING

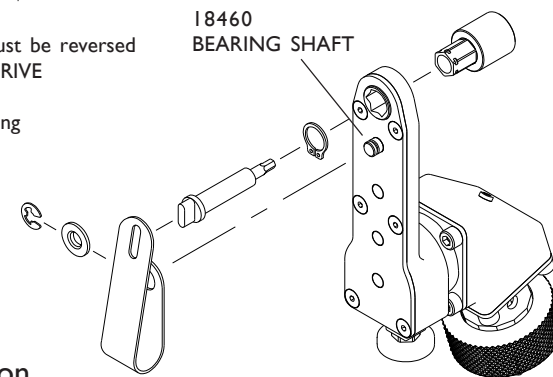
JIFFY KEY  
SERIES I

18460  
BEARING SHAFT

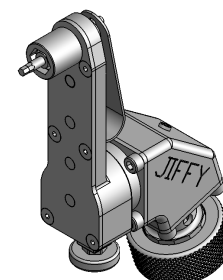


For BACK DRIVE setup  
the 18460 bearing shaft must be reversed  
You must specify BACK DRIVE  
when ordering.  
Reversible or reverse running  
motor required.

18460  
BEARING SHAFT

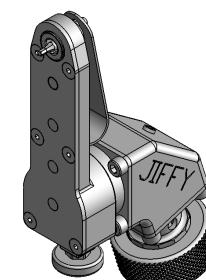


## Nose Gear Selection



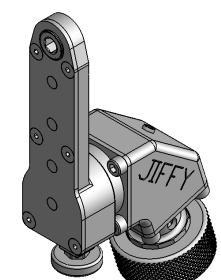
The SOCKET DRIVER will adapt the  
attachment to accept Series I Sockets  
starting on Page 67.  
Order with or without the  
Jiffy Key System.

| PART NO. | SIZE | TYPE          |
|----------|------|---------------|
| 12465    | 9/32 | SOCKET DRIVER |
| 13186    | 1/4  | SQ DRIVE MALE |



HEX FLUSH  
The socket is built into the nose gear.  
Choose the Hex Flush gear and Key  
from the table or order without  
the Jiffy Key System.

| PART NO.         | HEX SIZE | TYPE        |
|------------------|----------|-------------|
| 20400            | 7/32     | HEX FLUSH   |
| 20069            | 1/4      | HEX FLUSH   |
| 20402            | 9/32     | HEX FLUSH   |
| JIFFY KEYS FLUSH |          |             |
| KEY HEX          | 1/16     | 5/64 3/32   |
| PART NO.         | 18932    | 18933 18934 |



HEX THRU  
The hex listed runs completely  
through the nose gear  
No key system is used

| PART NO. | HEX SIZE | TYPE     |
|----------|----------|----------|
| 12657    | 7/32     | HEX THRU |
| 13187    | 1/4      | HEX THRU |
| 13188    | 9/32     | HEX THRU |

PHONE: 775 883 1072 FAX: 775 883 4857