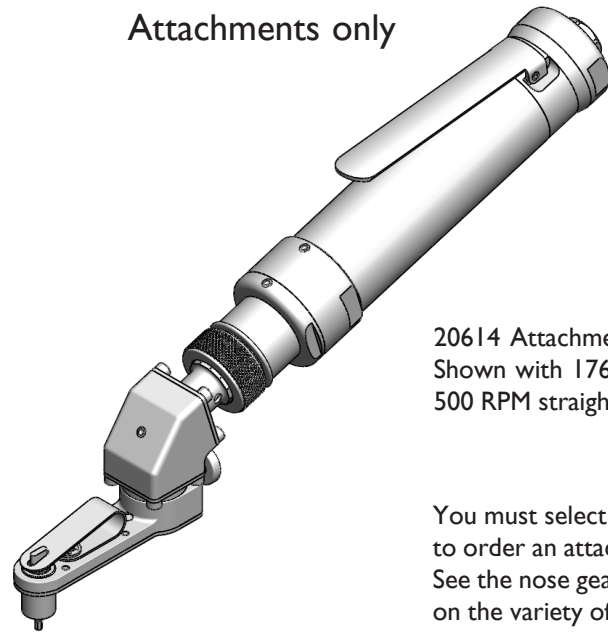


# 17 DEG SERIES 1 60 Inch Lbs / 6.77 Nm

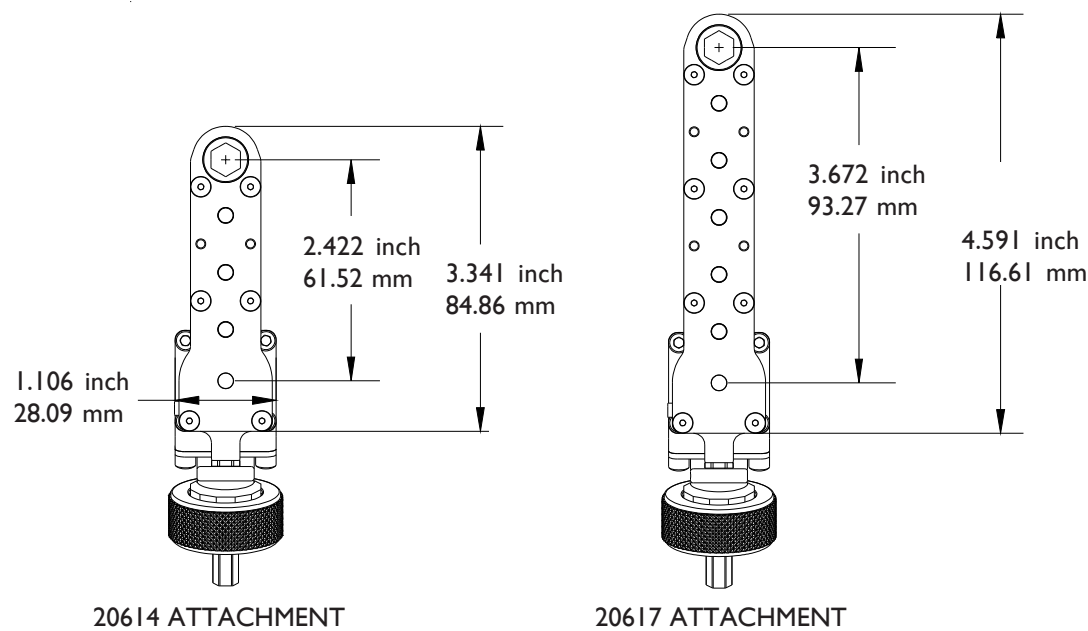
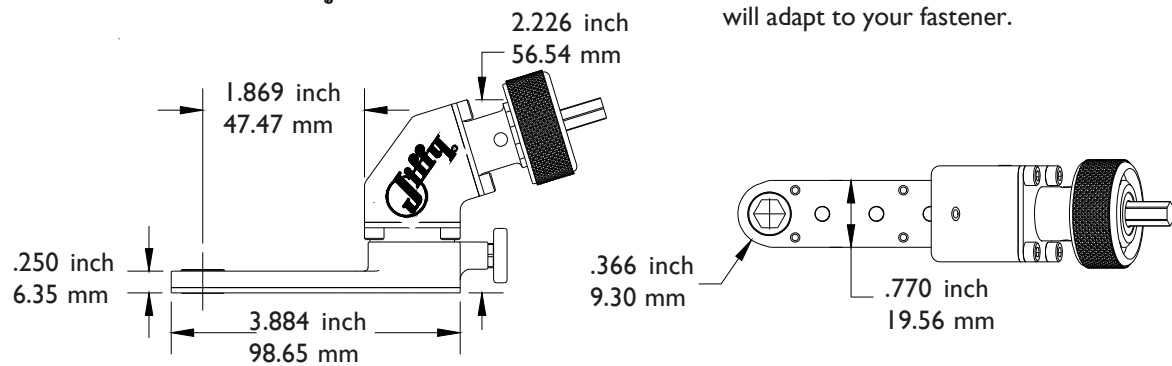


17 DEGREE INDEXABLE INSTALLATION  
 .366 inch / 9.30mm center to edge distance  
 Attachments only



20614 Attachment  
 Shown with 17676 .85 hp  
 500 RPM straight motor

You must select a nose gear to order an attachment.  
 See the nose gear tables for information  
 on the variety of ways our attachments  
 will adapt to your fastener.



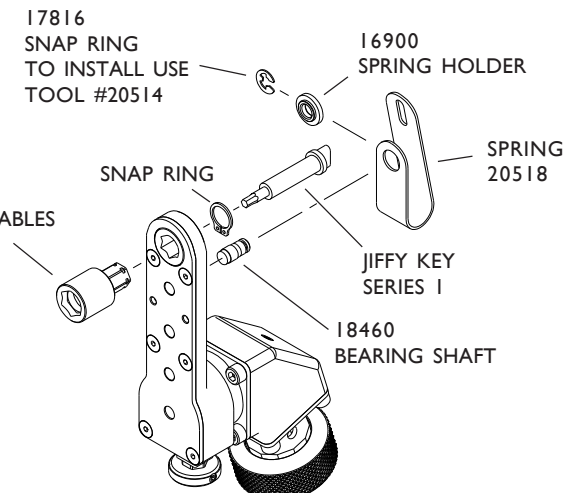
PHONE: 775 883 1072 FAX: 775 883 4857

# 17 DEG SERIES 1 60 Inch Lbs / 6.77 Nm

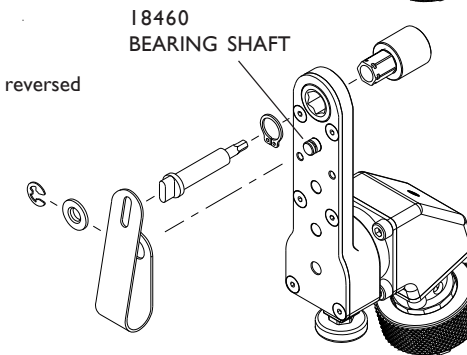


17 DEGREE INDEXABLE INSTALLATION  
 .366 inch / 9.30mm center to edge distance

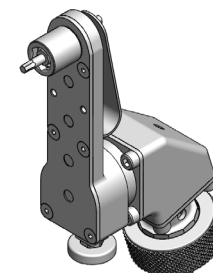
20450  
 JIFFY KEY CONTROL ASSEMBLY



For BACK DRIVE setup  
 the 18460 bearing shaft must be reversed  
 You must specify BACK DRIVE  
 when ordering.  
 Reversible or reverse running  
 motor required.

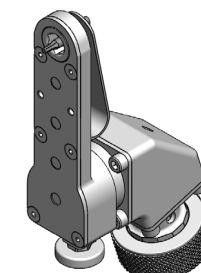


## Nose Gear Selection



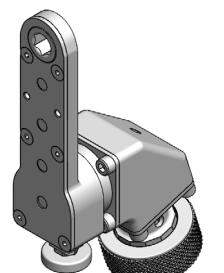
The SOCKET DRIVER will adapt the  
 attaching to accept Series 1 Sockets  
 starting on Page 67.  
 Order with or without the  
 Jiffy Key System.

PART NO.	SIZE	TYPE
20515	9/32	SOCKET DRIVER
20516	1/4	SQ. DRIVE MALE



HEX FLUSH  
 The socket is built into the nose gear.  
 Choose the Hex Flush gear and Key  
 from the table or order without  
 the Jiffy Key System.

PART NO.	SIZE	TYPE
20403	7/32	HEX FLUSH
20404	1/4	HEX FLUSH
20405	9/32	HEX FLUSH
20406	5/16	HEX FLUSH
20407	11/32	HEX FLUSH
JIFFY KEYS FLUSH		
KEY HEX	1/16	5/64 3/32
PART NO.	18932	18933 18934



HEX THRU  
 The hex listed runs completely  
 through the nose gear  
 No key system is used

PART NO.	HEX SIZE	TYPE
20477	7/32	HEX THRU
20478	1/4	HEX THRU
15466	9/32	HEX THRU
15467	5/16	HEX THRU
15468	11/32	HEX THRU

PHONE: 775 883 1072 FAX: 775 883 4857