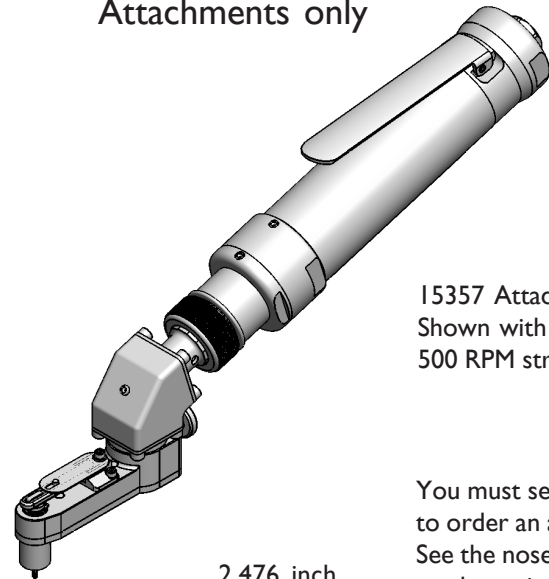


# 17 DEG SERIES 2 120 Inch Lbs / 13.55 Nm



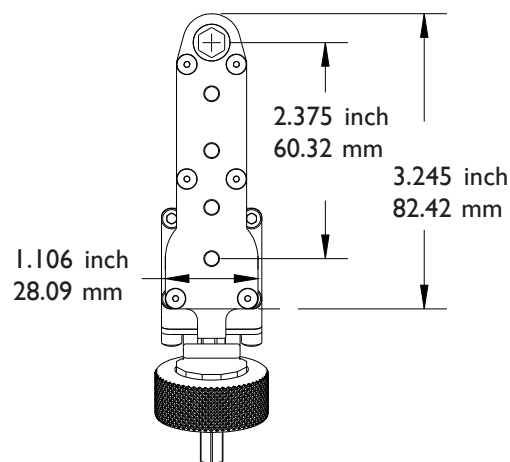
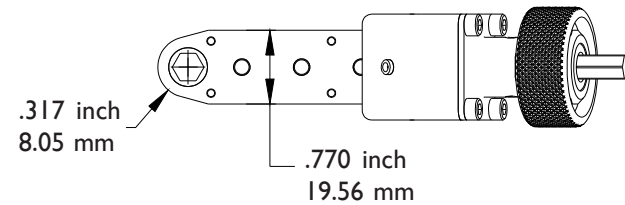
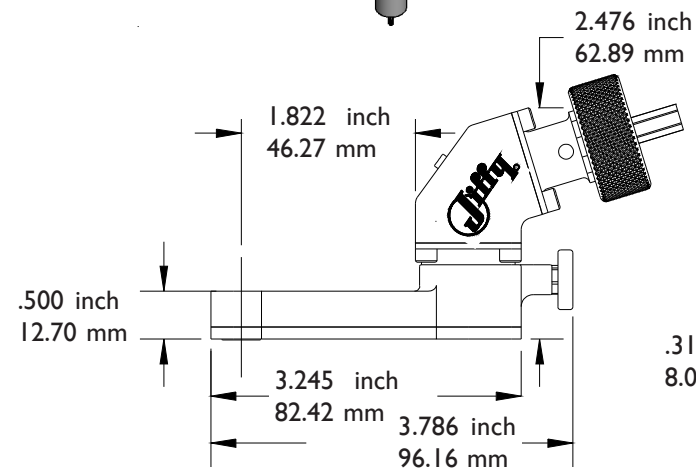
17 DEGREE INDEXABLE INSTALLATION  
.317 inch / 8.05mm center to edge distance

Attachments only

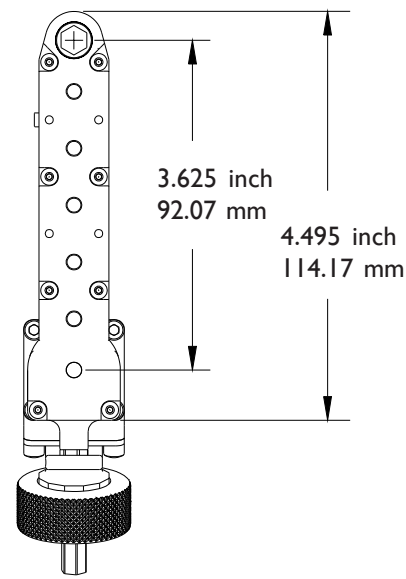


15357 Attachment  
Shown with 17676 .85 hp  
500 RPM straight motor

You must select a nose gear to order an attachment. See the nose gear tables for information on the variety of ways our attachments will adapt to your fastener.



15357 ATTACHMENT



20090 ATTACHMENT

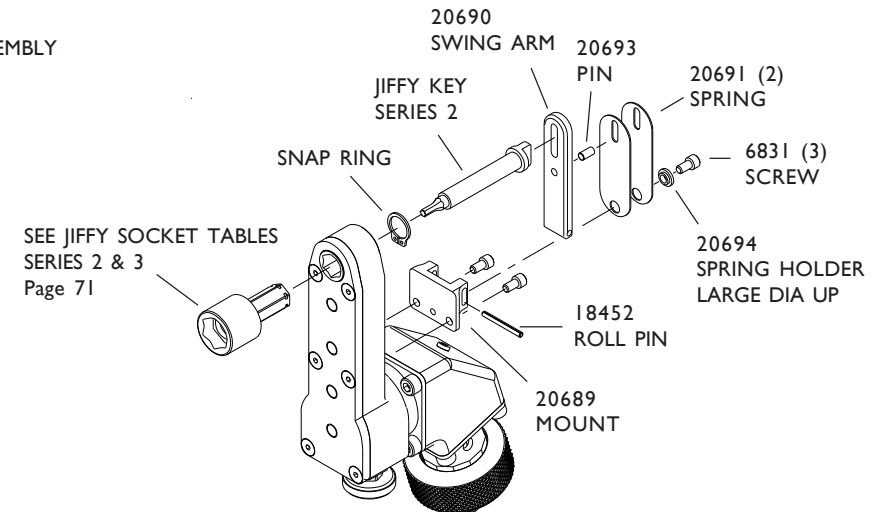
PHONE: 775 883 1072 FAX: 775 883 4857

# 17 DEG SERIES 2 120 Inch Lbs / 13.55 Nm



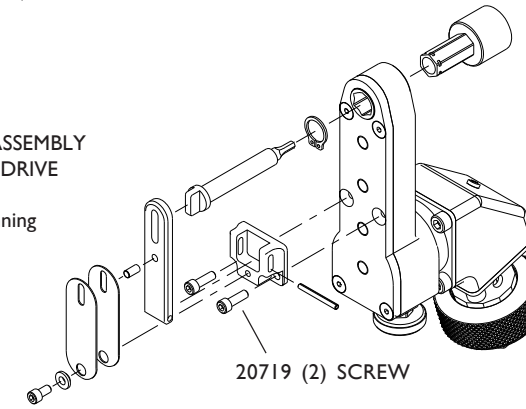
17 DEGREE INDEXABLE INSTALLATION  
.317 inch / 8.05mm center to edge distance

20688  
JIFFY KEY CONTROL ASSEMBLY

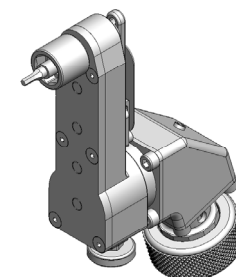


### BACKDRIVE

20764  
JIFFY KEY CONTROL ASSEMBLY  
You must specify BACK DRIVE when ordering. Reversible or reverse running motor required. All parts remain the same except as noted.

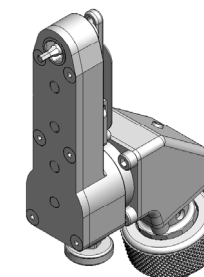


### Nose Gear Selection



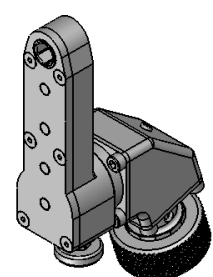
The SOCKET DRIVER will adapt the attachment to accept Series 2 / 3 Sockets starting on Page 71. Order with or without the Jiffy Key System.

PART NO.	SIZE	TYPE
12467	9/32	SOCKET DRIVER
12468	1/4	SQ. DRIVE MALE



HEX FLUSH  
The socket is built into the nose gear. Choose the Hex Flush gear and Key from the table or order without the Jiffy Key System.

PART NO.	HEX SIZE	TYPE		
12469	7/32	HEX FLUSH		
12470	1/4	HEX FLUSH		
12471	9/32	HEX FLUSH		
JIFFY KEYS FLUSH				
KEY HEX	1/16	5/64	3/32	1/8
PART NO.	18155	18156	18157	18158



HEX THRU  
The hex listed runs completely through the nose gear. No key system is used.

PART NO.	HEX SIZE	TYPE
12475	7/32	HEX THRU
12476	1/4	HEX THRU
12477	9/32	HEX THRU

PHONE: 775 883 1072 FAX: 775 883 4857