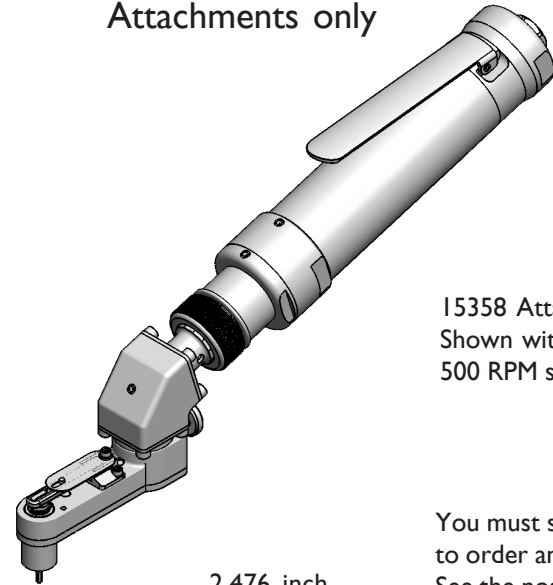


# 17 DEG SERIES 2 120 Inch Lbs / 13.55 Nm

17 DEGREE INDEXABLE INSTALLATION  
 .366 inch / 9.30mm center to edge distance

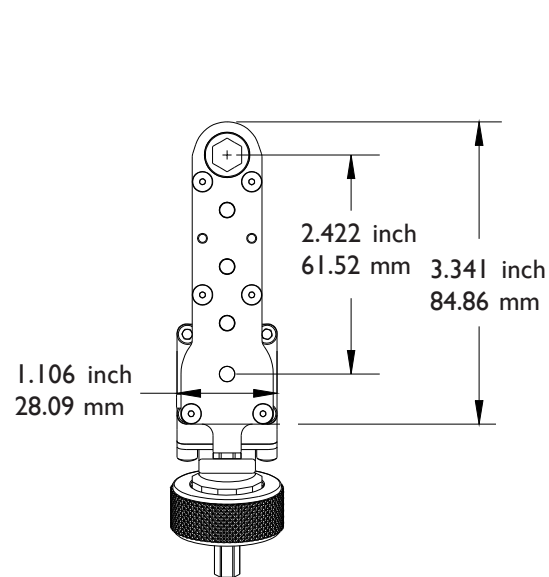
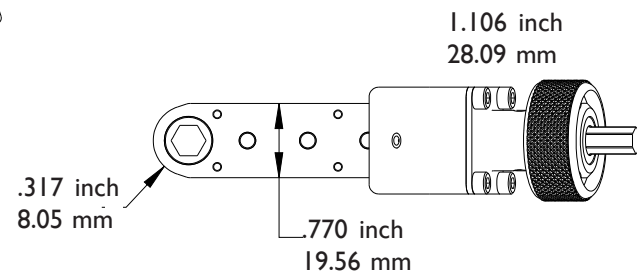
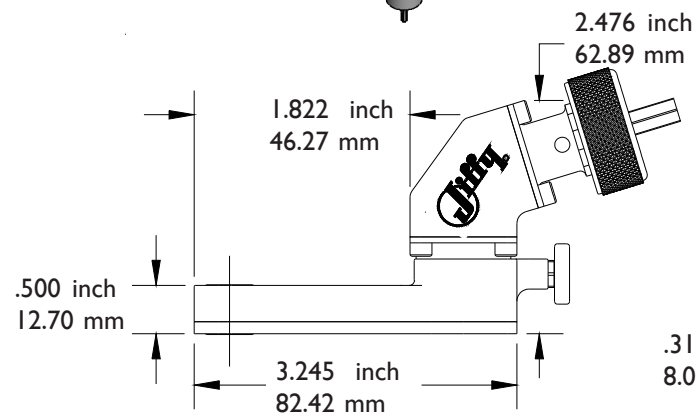


Attachments only

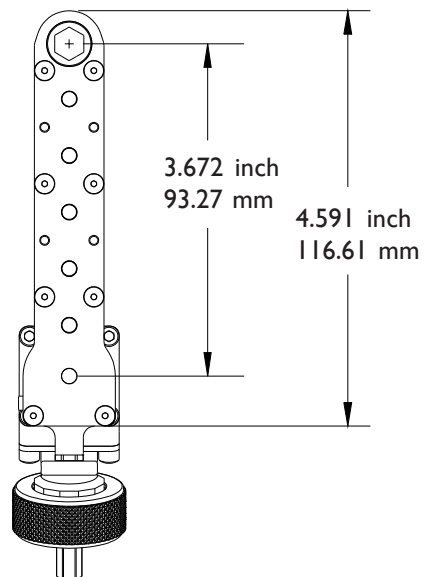


15358 Attachment  
 Shown with 17676 .85 hp  
 500 RPM straight motor

You must select a nose gear to order an attachment.  
 See the nose gear tables for information on the variety of ways our attachments will adapt to your fastener.



15358 ATTACHMENT



20621 ATTACHMENT

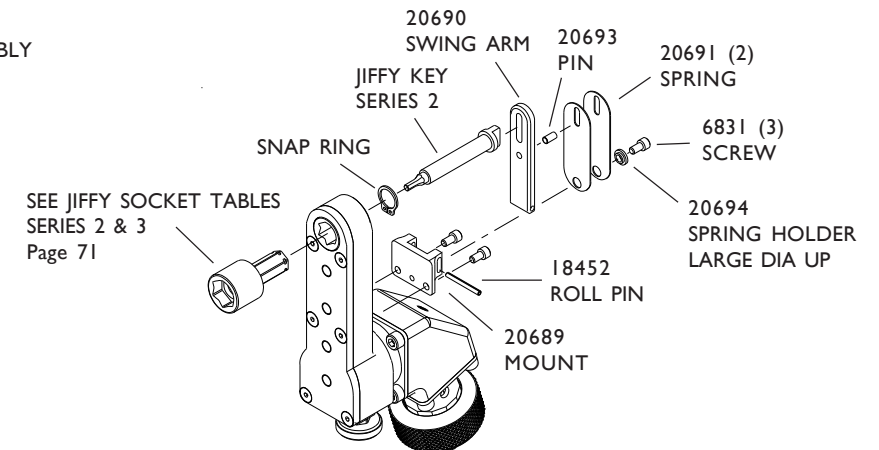
PHONE: 775 883 1072 FAX: 775 883 4857

# 17 DEG SERIES 2 120 Inch Lbs / 13.55 Nm

17 DEGREE INDEXABLE INSTALLATION  
 .366 inch / 9.30mm center to edge distance

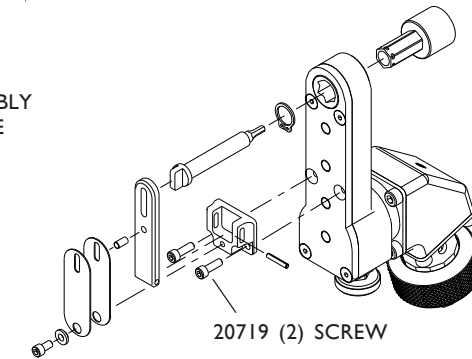


20688  
 JIFFY KEY CONTROL ASSEMBLY

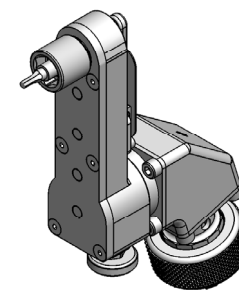


BACKDRIVE

20764  
 JIFFY KEY CONTROL ASSEMBLY  
 You must specify BACK DRIVE when ordering.  
 Reversible or reverse running motor required.  
 All parts remain the same except as noted.

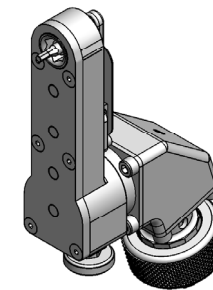


Nose Gear Selection



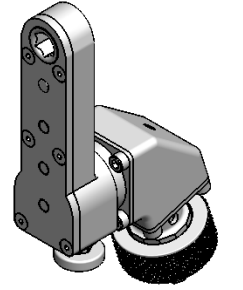
The SOCKET DRIVER will adapt the attachment to accept Series 2 / 3 Sockets starting on Page 71.  
 Order with or without the Jiffy Key System.

PART NO.	SIZE	TYPE
15372	9/32	SOCKET DRIVER
15373	1/4	SQ. DRIVE MALE



HEX FLUSH  
 The socket is built into the nose gear. Choose the Hex Flush gear and Key from the table or order without the Jiffy Key System.

PART NO.	HEX SIZE	TYPE		
15374	7/32	HEX FLUSH		
15375	1/4	HEX FLUSH		
15376	9/32	HEX FLUSH		
15377	5/16	HEX FLUSH		
15460	11/32	HEX FLUSH		
JIFFY KEYS FLUSH				
KEY HEX	1/16	5/64	3/32	1/8
PART NO.	18155	18156	18157	18158



HEX THRU  
 The hex listed runs completely through the nose gear. No key system is used.

PART NO.	HEX SIZE	TYPE
15379	7/32	HEX THRU
15380	1/4	HEX THRU
15381	9/32	HEX THRU
15337	5/16	HEX THRU
15461	11/32	HEX THRU

PHONE: 775 883 1072 FAX: 775 883 4857