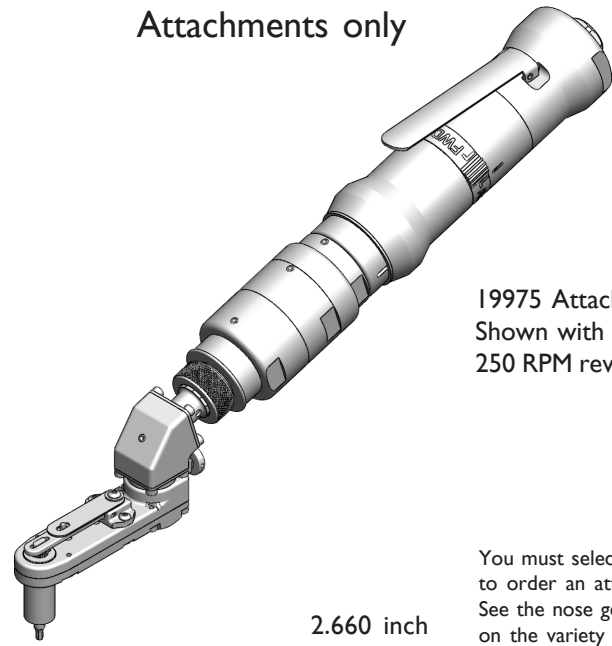


# 17 DEG SERIES 3 350 Inch Lbs / 39.54 Nm

17 DEGREE INDEXABLE INSTALLATION

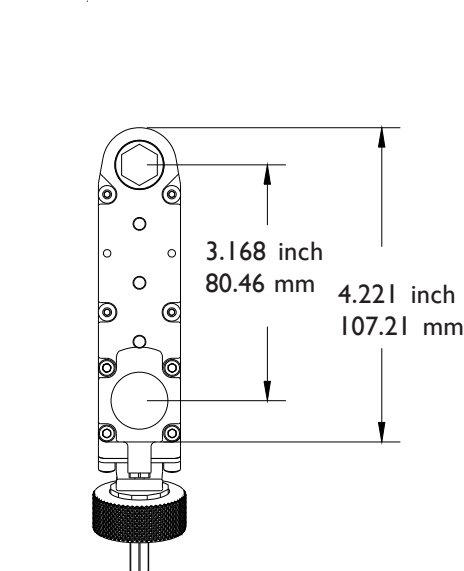
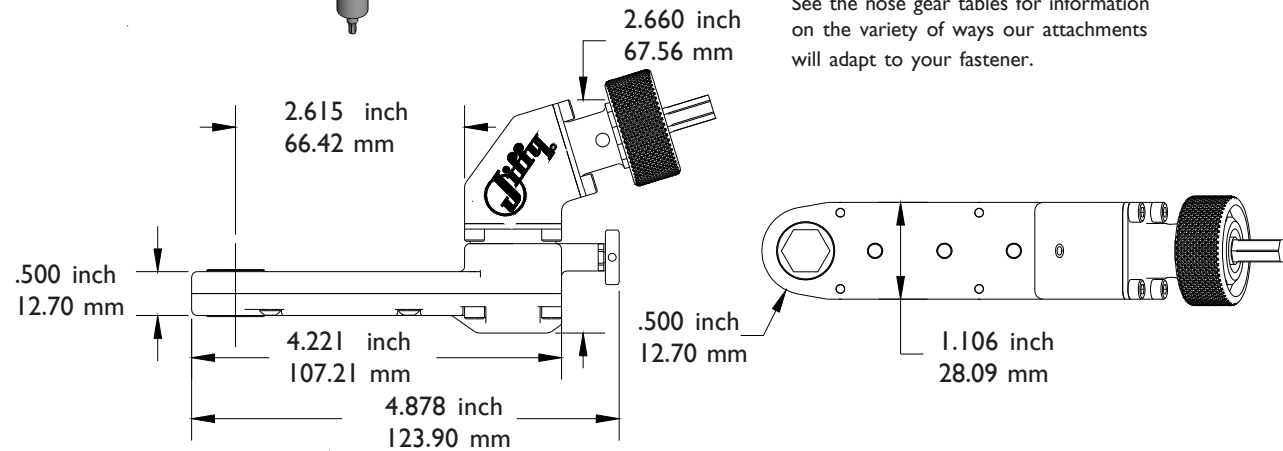
.500 inch / 12.70 mm center to edge distance

Attachments only

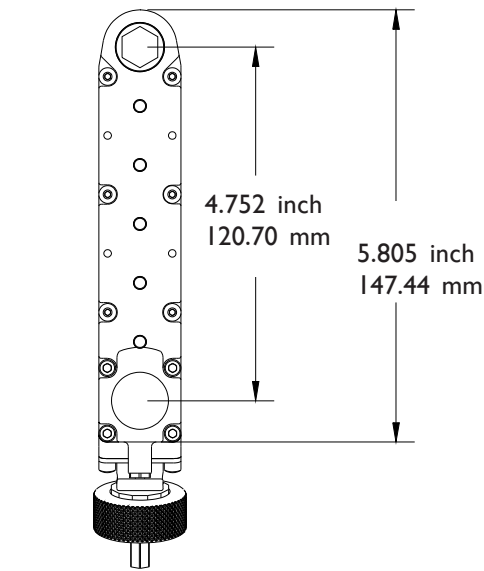


19975 Attachment  
Shown with 19960 0.9 hp  
250 RPM reversible motor

You must select a nose gear to order an attachment. See the nose gear tables for information on the variety of ways our attachments will adapt to your fastener.



19975 ATTACHMENT



20093 ATTACHMENT

PHONE: 775 883 1072 FAX: 775 883 4857

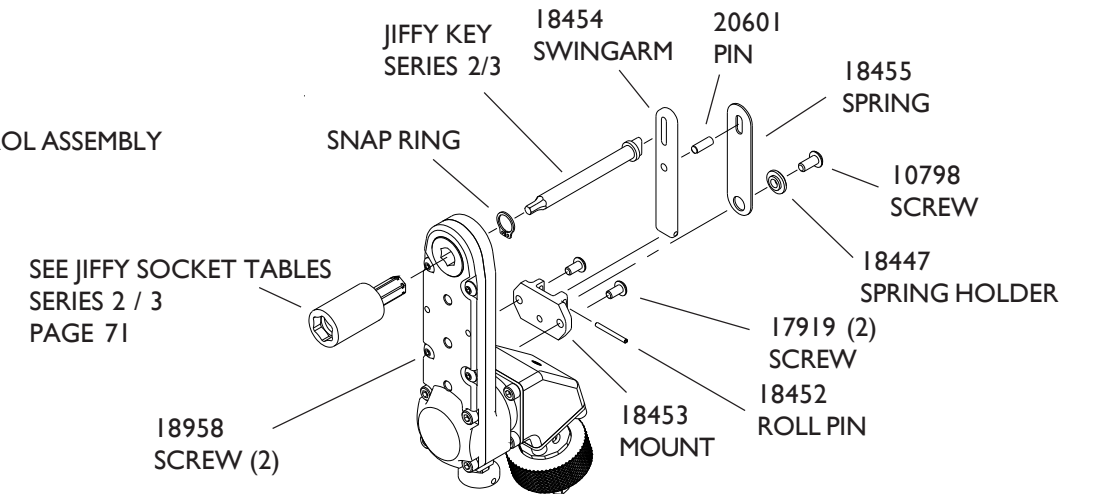
# 17 DEG SERIES 3 350 Inch Lbs / 39.54 Nm

17 DEGREE INDEXABLE INSTALLATION

.500 inch / 12.70 mm center to edge distance



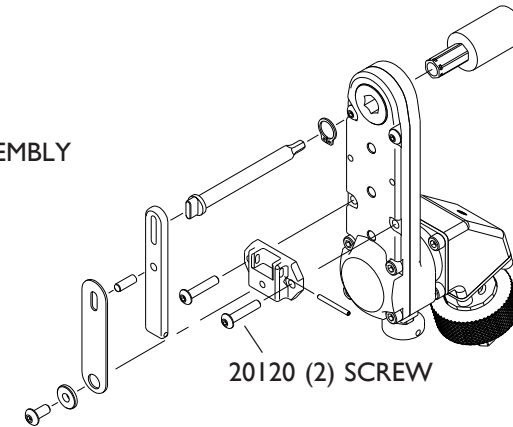
18448  
JIFFY KEY CONTROL ASSEMBLY



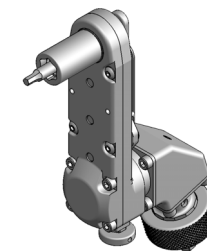
## BACKDRIVE

20766  
JIFFY KEY CONTROL ASSEMBLY

You must specify BACK DRIVE when ordering. Reversible or reverse running motor required. All parts remain the same except as noted.

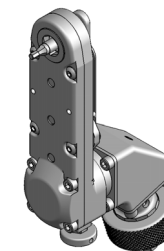


## Nose Gear Selection



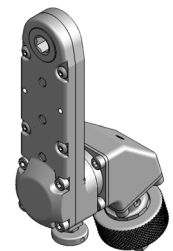
The SOCKET DRIVER will adapt the attachment to accept Series 2 / 3 Sockets starting on Page 71. Order with or without the Jiffy Key System.

PART NO.	SIZE	TYPE
18449	9/32	SOCKET DRIVER
15905	1/4	SQ. DRIVE MALE
20748	3/8	SQ. DRIVE MALE



HEX FLUSH  
The socket is built into the nose gear. Choose the Hex Flush gear and Key from the table or order without the Jiffy Key System.

PART NO.	HEX SIZE	TYPE
16038	5/16	HEX FLUSH
15891	7/16	HEX FLUSH
15889	11/32	HEX FLUSH
15890	3/8	HEX FLUSH
JIFFY KEYS FLUSH		
KEY HEX	3/32	1/8 5/32 3/16
PART NO.	18157	18158 18935 18936



HEX THRU  
The hex listed runs completely through the nose gear. No key system is used.

PART NO.	HEX SIZE	TYPE
16039	5/16	HEX THRU
15892	11/32	HEX THRU
15893	3/8	HEX THRU
15894	7/16	HEX THRU

PHONE: 775 883 1072 FAX: 775 883 4857