

20 DEG SERIES 4

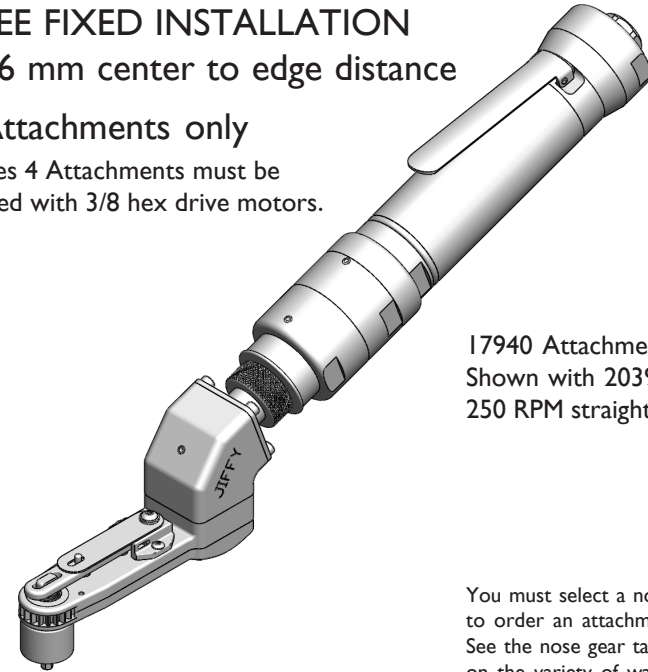
525 Inch Lbs / 59.31 Nm



20 DEGREE FIXED INSTALLATION
.535 inch / 13.6 mm center to edge distance

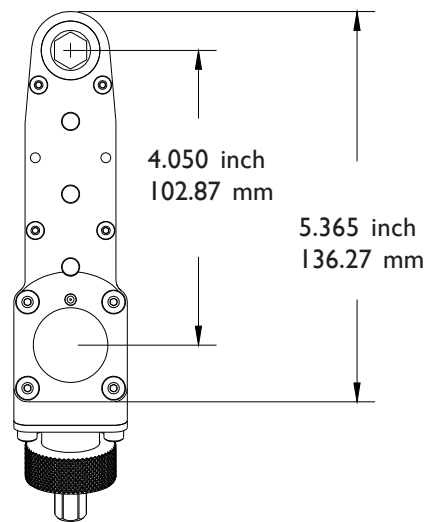
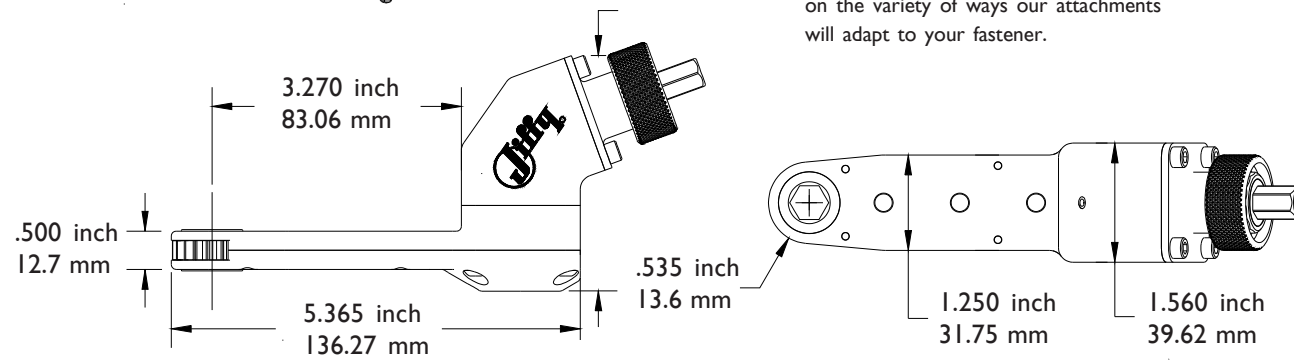
Attachments only

Series 4 Attachments must be matched with 3/8 hex drive motors.

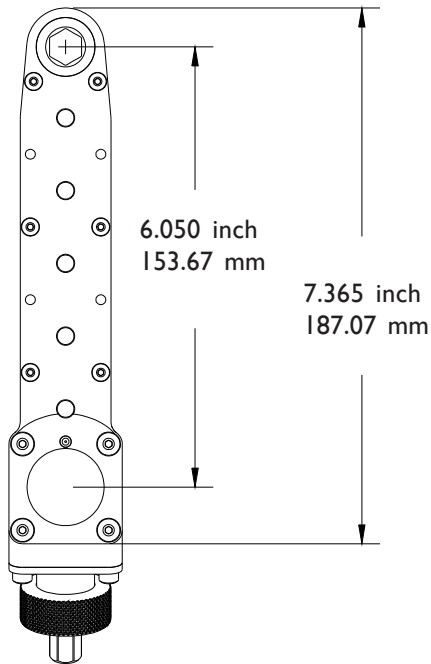
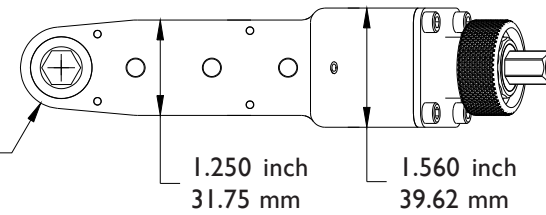


17940 Attachment
Shown with 20397 1.5 hp
250 RPM straight motor

You must select a nose gear to order an attachment.
See the nose gear tables for information on the variety of ways our attachments will adapt to your fastener.



17940 ATTACHMENT



20081 ATTACHMENT

PHONE: 775 883 1072 FAX: 775 883 4857

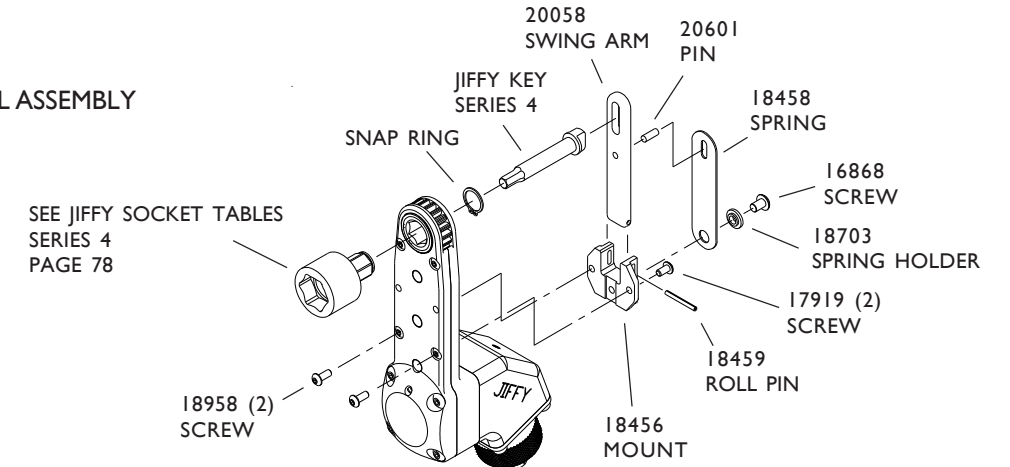
20 DEG SERIES 4

525 Inch Lbs / 59.31 Nm



20 DEGREE FIXED INSTALLATION
.535 inch / 13.6 mm center to edge distance

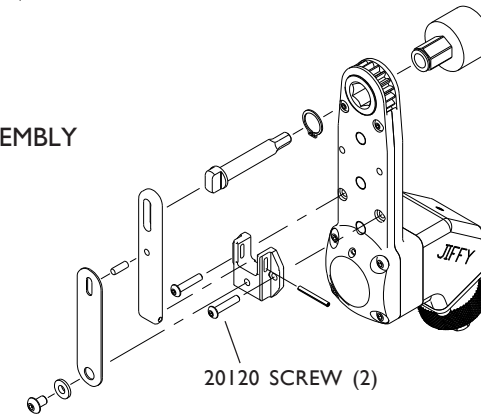
18706 JIFFY KEY CONTROL ASSEMBLY



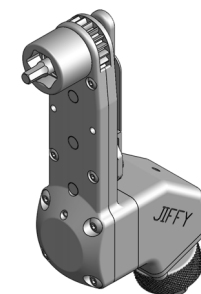
BACKDRIVE

20767 JIFFY KEY CONTROL ASSEMBLY

You must specify BACK DRIVE when ordering. Reversible or reverse running motor required. All parts remain the same except as noted.

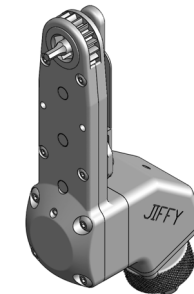


Nose Gear Selection



The SOCKET DRIVER will adapt the attachment to accept Series 4 Sockets starting on Page 78. Order with or without the Jiffy Key System.

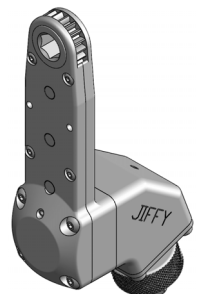
| PART NO. | SIZE | TYPE |
|----------|------|----------------|
| 18708 | 7/16 | SOCKET DRIVER |
| 18930 | 3/8 | SQ. DRIVE MALE |



HEX FLUSH
The socket is built into the nose gear. Choose the Hex Flush gear and Key from the table or order without the Jiffy Key System.

| PART NO. | INTERNAL HEX SIZE | TYPE |
|----------|-------------------|-----------|
| 20578 | 11/32 | HEX FLUSH |
| 20579 | 3/8 | HEX FLUSH |
| 20580 | 7/16 | HEX FLUSH |
| 20581 | 1/2 | HEX FLUSH |
| 20582 | 9/16 | HEX FLUSH |

| JIFFY KEYS FLUSH | | | | | | |
|------------------|-------|-------|-------|-------|-------|-------|
| KEY HEX | 3/32 | 1/8 | 5/32 | 3/16 | 7/32 | 1/4 |
| PART NO. | 20564 | 20565 | 20566 | 20567 | 20568 | 20569 |



HEX THRU
The hex listed runs completely through the nose gear. No key system is used.

| PART NO. | SIZE | TYPE |
|----------|-------|----------|
| 20583 | 11/32 | HEX THRU |
| 18052 | 3/8 | HEX THRU |
| 18051 | 7/16 | HEX THRU |
| 18050 | 1/2 | HEX THRU |
| 17948 | 9/16 | HEX THRU |

PHONE: 775 883 1072 FAX: 775 883 4857