

20 DEG SERIES 4

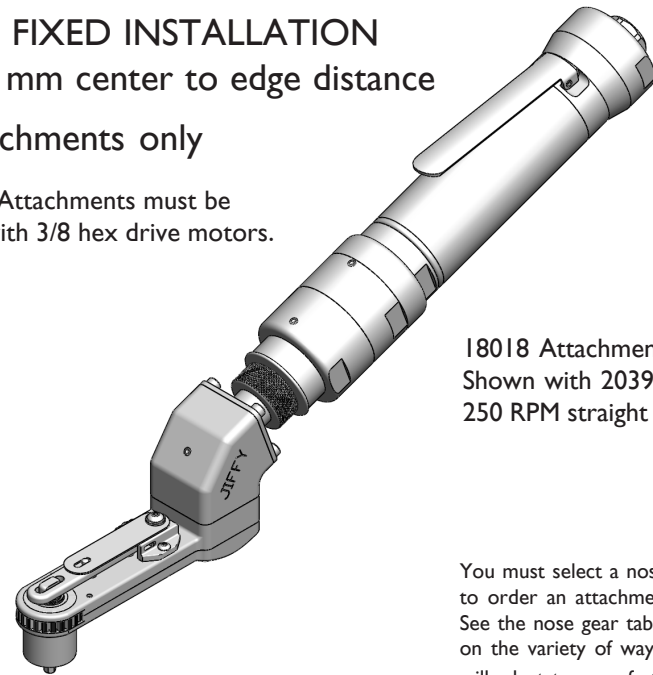
525 Inch Lbs / 59.31 Nm



20 DEGREE FIXED INSTALLATION
.640 inch / 16.3 mm center to edge distance

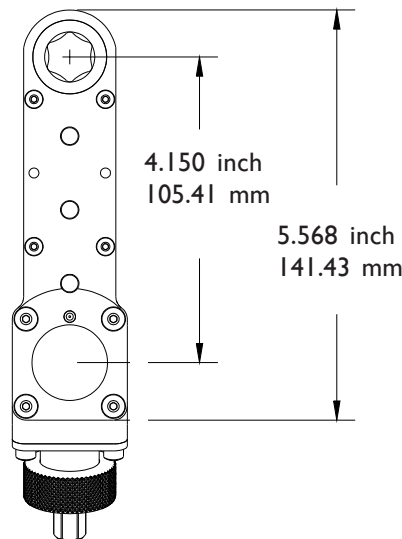
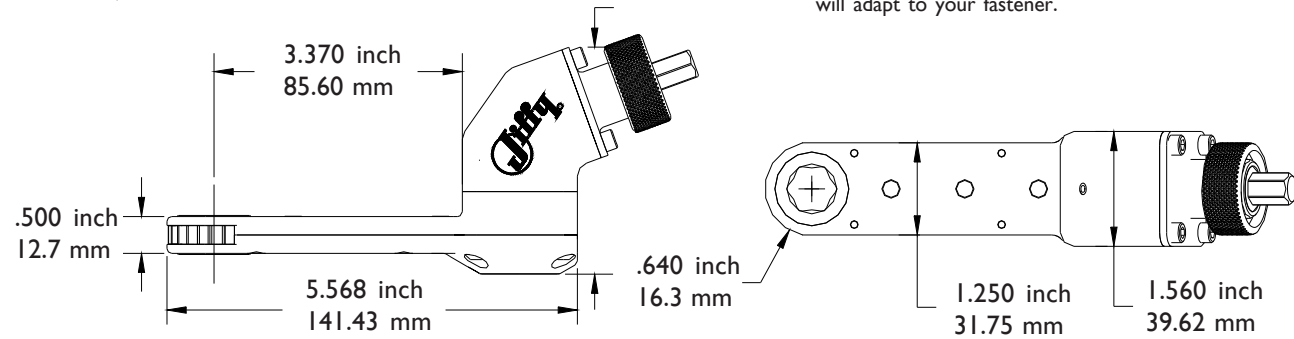
Attachments only

Series 4 Attachments must be matched with 3/8 hex drive motors.

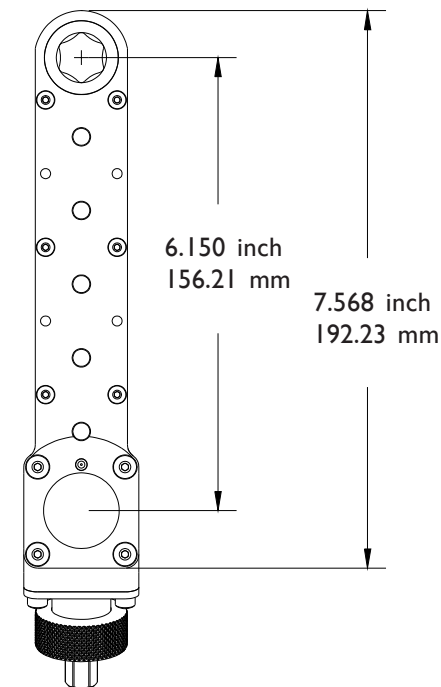
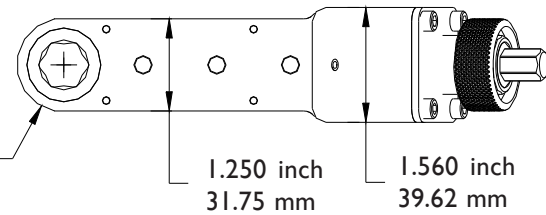


18018 Attachment
Shown with 20397 1.5 hp
250 RPM straight motor

You must select a nose gear to order an attachment. See the nose gear tables for information on the variety of ways our attachments will adapt to your fastener.



18018 ATTACHMENT



20084 ATTACHMENT

PHONE: 775 883 1072 FAX: 775 883 4857

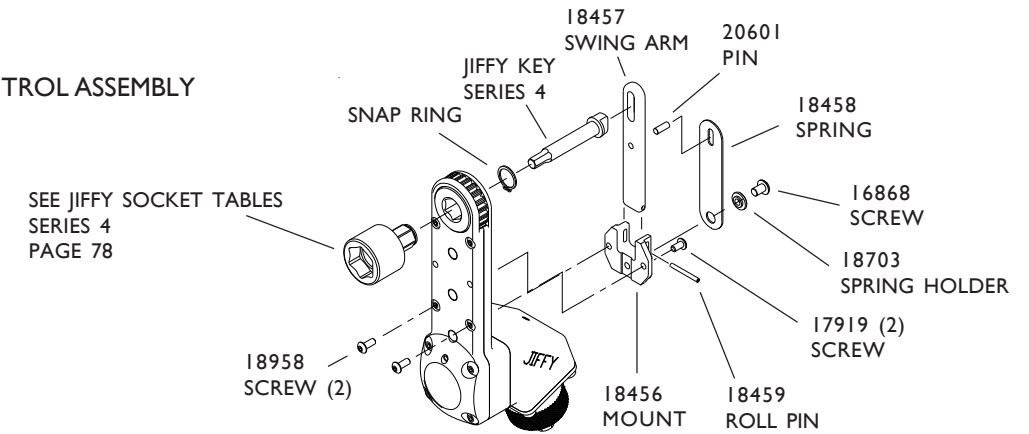
20 DEG SERIES 4

525 Inch Lbs / 59.31 Nm



20 DEGREE FIXED INSTALLATION
.640 inch / 31.8 mm center to edge distance

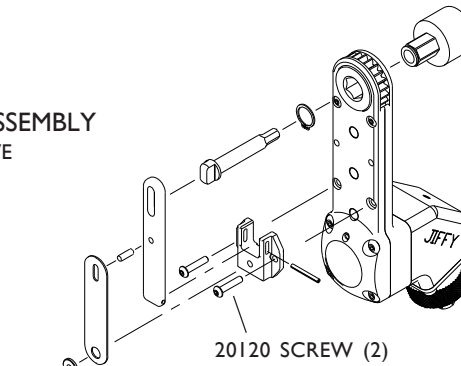
18705 JIFFY KEY CONTROL ASSEMBLY



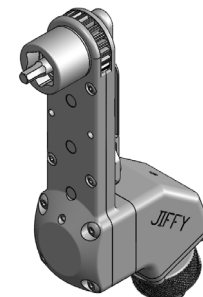
BACKDRIVE

20768 JIFFY KEY CONTROL ASSEMBLY

You must specify BACK DRIVE when ordering. Reversible or reverse running motor required. All parts remain the same except as noted.

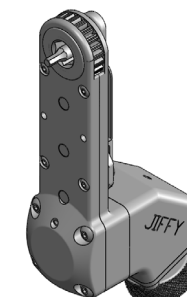


Nose Gear Selection



The SOCKET DRIVER will adapt the attachment to accept Series 4 Sockets starting on Page 78. Order with or without the Jiffy Key System.

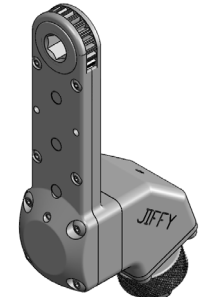
PART NO.	SIZE	TYPE
18707	7/16	SOCKET DRIVER
18931	3/8	SQ. DRIVE MALE



HEX FLUSH
The socket is built into the nose gear. Choose the Hex Flush gear and Key from the table or order without the Jiffy Key System.

PART NO.	INTERNAL HEX SIZE	TYPE
20552	1 1/32	HEX FLUSH
20553	3/8	HEX FLUSH
20554	7/16	HEX FLUSH
20555	1/2	HEX FLUSH
20556	9/16	HEX FLUSH
20557	5/8	HEX FLUSH
20558	1 1/16	HEX FLUSH
20559	3/4	HEX FLUSH

JIFFY KEYS FLUSH						
KEY HEX	3/32	1/8	5/32	3/16	7/32	1/4
PART NO.	20564	20565	20566	20567	20568	20569



HEX THRU
The hex listed runs completely through the nose gear. No key system is used.

PART NO.	SIZE	TYPE
20560	1 1/32	HEX THRU
20561	3/8	HEX THRU
20562	7/16	HEX THRU
20563	1/2	HEX THRU
18049	9/16	HEX THRU
18048	5/8	HEX THRU
18047	1 1/16	HEX THRU
17947	3/4	HEX THRU

PHONE: 775 883 1072 FAX: 775 883 4857