

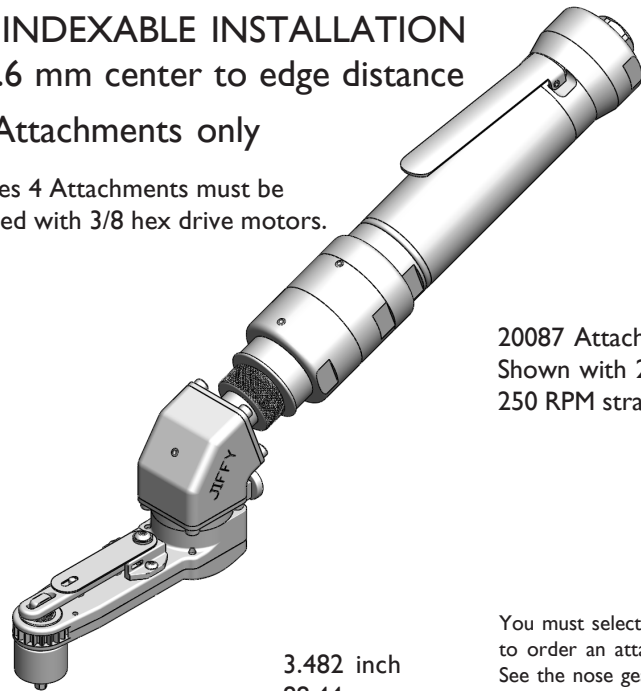
20 DEG SERIES 4 525 Inch Lbs / 59.31 Nm



20 DEGREE INDEXABLE INSTALLATION
.535 inch / 13.6 mm center to edge distance

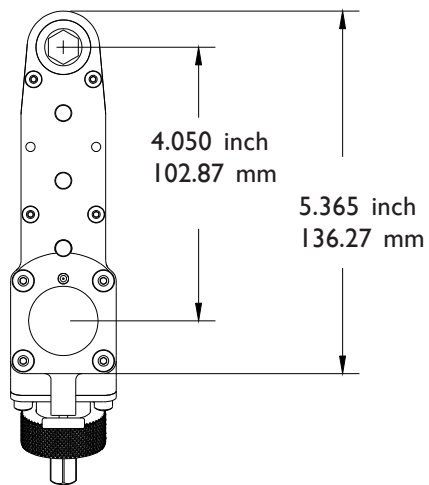
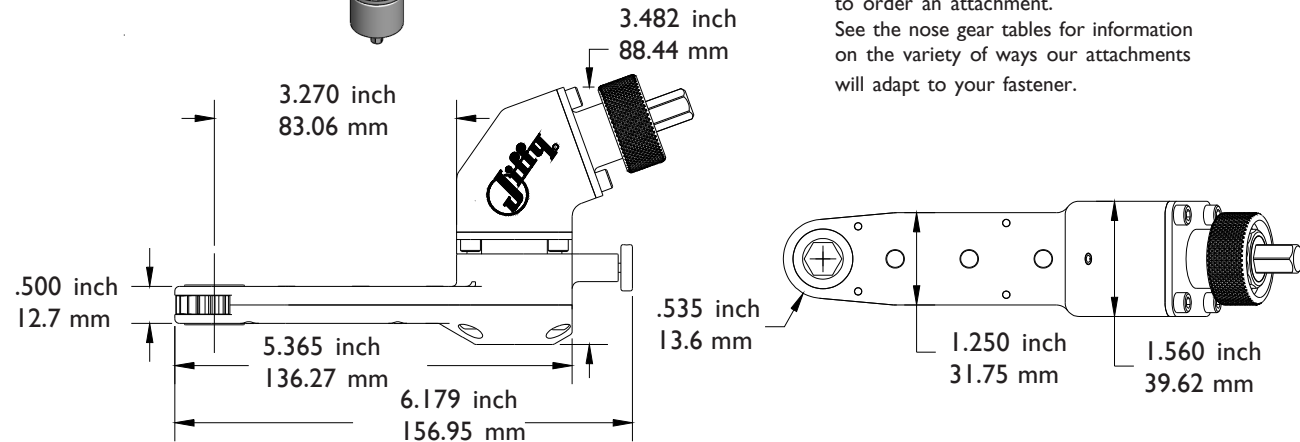
Attachments only

Series 4 Attachments must be matched with 3/8 hex drive motors.

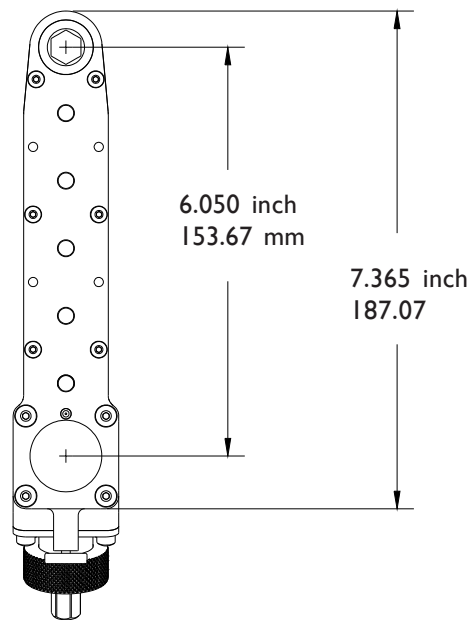


20087 Attachment
Shown with 20397 1.5 hp
250 RPM straight motor

You must select a nose gear to order an attachment. See the nose gear tables for information on the variety of ways our attachments will adapt to your fastener.



20087 ATTACHMENT



20096 ATTACHMENT

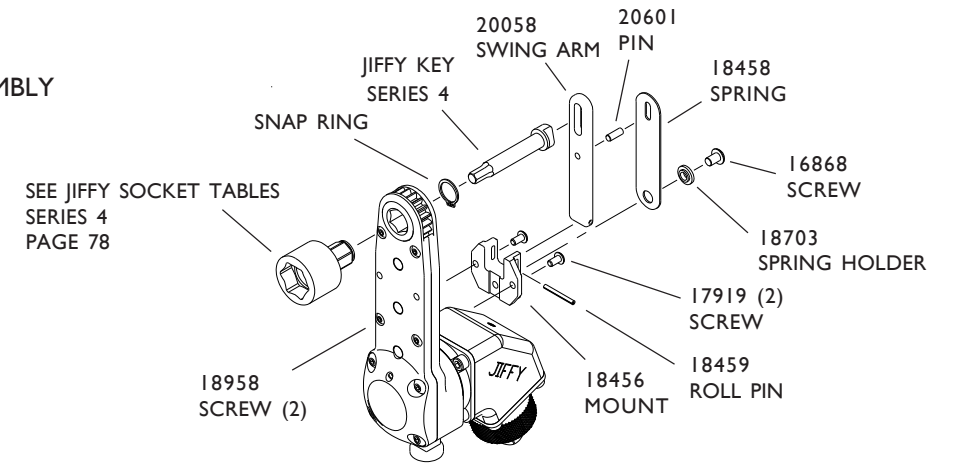
PHONE: 775 883 1072 FAX: 775 883 4857

20 DEG SERIES 4 525 Inch Lbs / 59.31 Nm



20 DEGREE INDEXABLE INSTALLATION
.535 inch / 13.6 mm center to edge distance

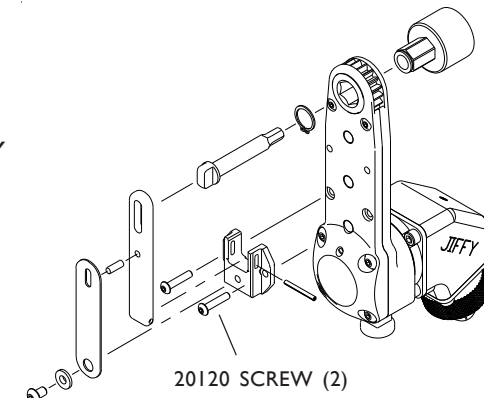
18706 JIFFY KEY CONTROL ASSEMBLY



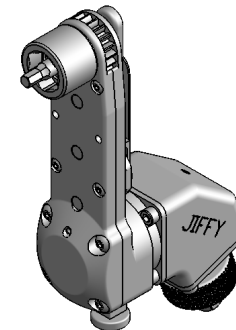
BACKDRIVE

20767 JIFFY KEY CONTROL ASSEMBLY

You must specify BACK DRIVE when ordering. Reversible or reverse running motor required. All parts remain the same except as noted.

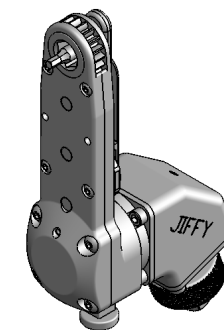


Nose Gear Selection



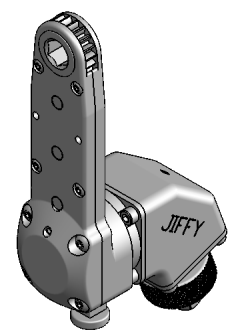
The SOCKET DRIVER will adapt the attachment to accept Series 4 Sockets starting on Page 78. Order with or without the Jiffy Key System.

PART NO.	SIZE	TYPE
18708	7/16	SOCKET DRIVER
18930	3/8	SQ. DRIVE MALE



HEX FLUSH The socket is built into the nose gear. Choose the Hex Flush gear and Key from the table or order without the Jiffy Key System.

PART NO.	INTERNAL HEX SIZE	TYPE				
20578	11/32	HEX FLUSH				
20579	3/8	HEX FLUSH				
20580	7/16	HEX FLUSH				
20581	1/2	HEX FLUSH				
20582	9/16	HEX FLUSH				
JIFFY KEYS FLUSH						
KEY HEX	3/32	1/8	5/32	3/16	7/32	1/4
PART NO.	20564	20565	20566	20567	20568	20569



HEX THRU The hex listed runs completely through the nose gear. No key system is used.

PART NO.	SIZE	TYPE
20583	11/32	HEX THRU
18052	3/8	HEX THRU
18051	7/16	HEX THRU
18050	1/2	HEX THRU
17948	9/16	HEX THRU

PHONE: 775 883 1072 FAX: 775 883 4857