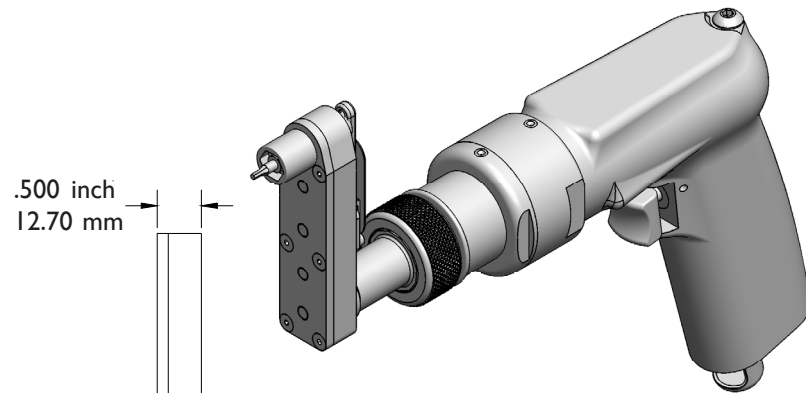
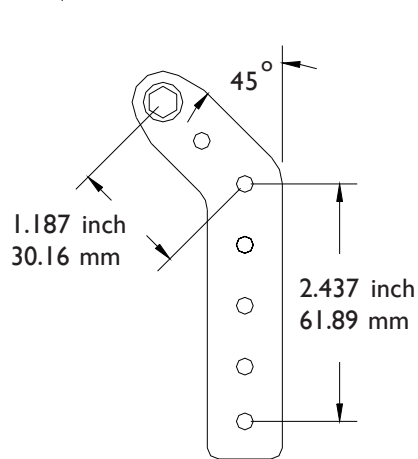
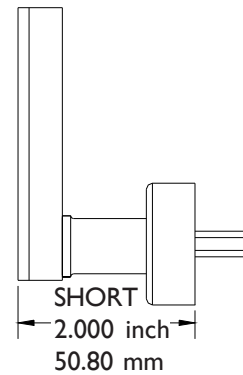
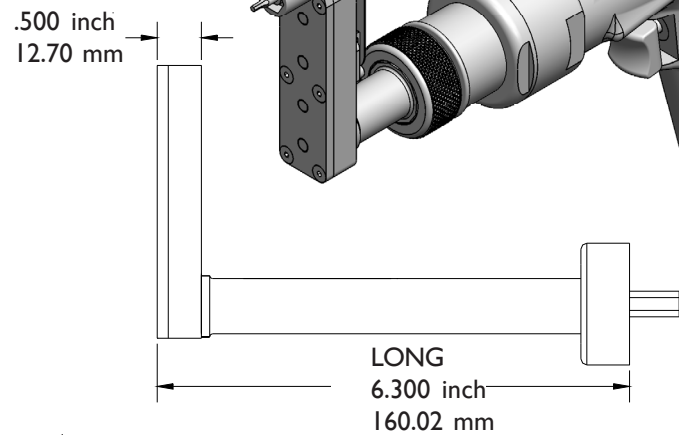


LTI SERIES 2 120 Inch Lbs / 13.55 Nm

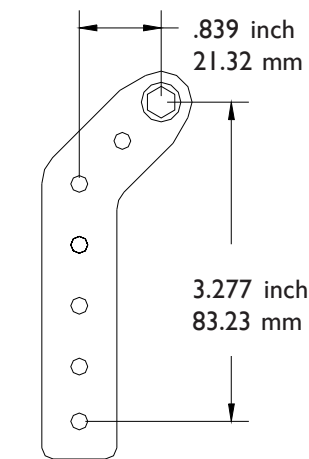
L TYPE INSTALLATION .317 inch / 8.05mm center to edge distance
Attachments only



1446 Attachment
Shown with I7882 .85 hp
500 RPM offset motor

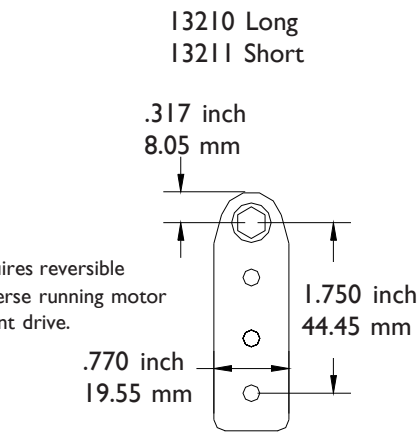


RIGHT HAND
I3210 Long
I3211 Short

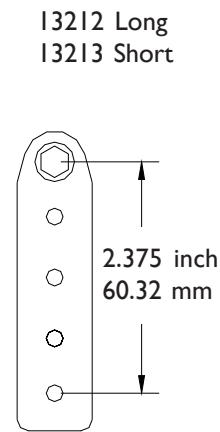


LEFT HAND
I3212 Long
I3213 Short

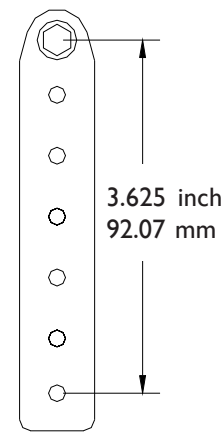
You must select a nose gear to order an attachment. See the nose gear tables for information on the variety of ways our attachments will adapt to your fastener.



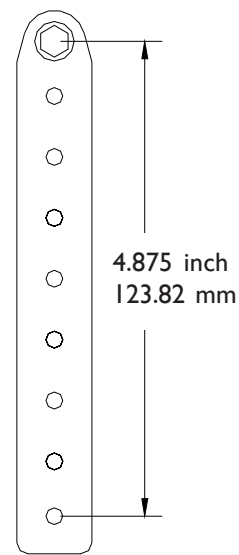
I3204* Long
I3205* Short



I4425 Long
I4426 Short



I4481 Long
I4482 Short



I3208 Long
I3209 Short

* Requires reversible or reverse running motor for front drive.

PHONE: 775 883 1072 FAX: 775 883 4857

LTI SERIES 2 120 Inch Lbs / 13.55 Nm

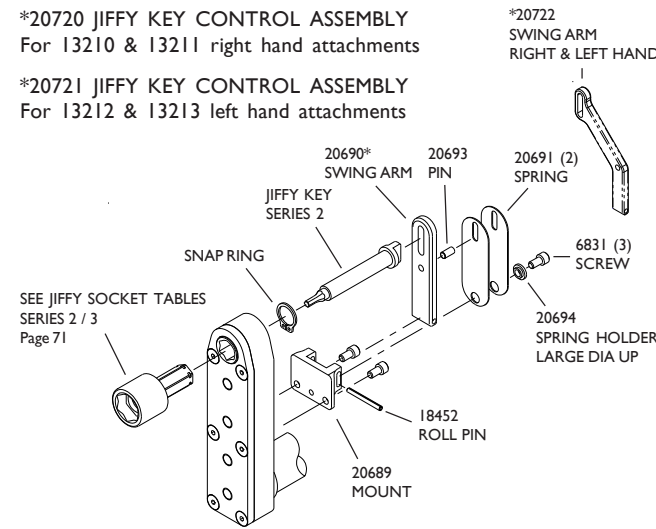
L TYPE INSTALLATION .317 inch / 8.05mm center to edge distance



20688 JIFFY KEY CONTROL ASSEMBLY

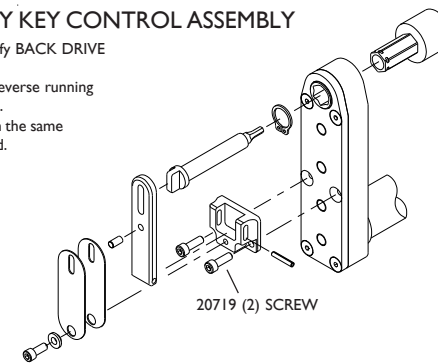
*20720 JIFFY KEY CONTROL ASSEMBLY
For I3210 & I3211 right hand attachments

*20721 JIFFY KEY CONTROL ASSEMBLY
For I3212 & I3213 left hand attachments

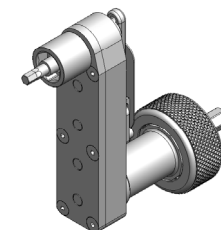


BACK DRIVE 20764 JIFFY KEY CONTROL ASSEMBLY

You must specify BACK DRIVE when ordering. Reversible or reverse running motor required. All parts remain the same except as noted.

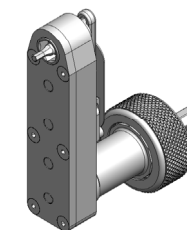


Nose Gear Selection



The SOCKET DRIVER will adapt the attachment to accept Series 2 / 3 Sockets starting on Page 71. Order with or without the Jiffy Key System.

PART NO.	SIZE	TYPE
I2467	9/32	SOCKET DRIVER
I2468	1/4	SQ. DRIVE MALE



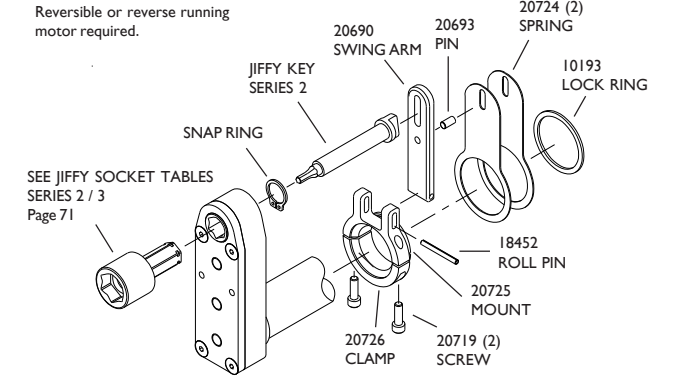
HEX FLUSH
The socket is built into the nose gear. Choose the Hex Flush gear and Key from the table or order without the Jiffy Key System.

PART NO.	HEX SIZE	TYPE		
I2469	7/32	HEX FLUSH		
I2470	1/4	HEX FLUSH		
I2471	9/32	HEX FLUSH		
JIFFY KEYS FLUSH				
KEY HEX	1/16	5/64	3/32	1/8
PART NO.	I8155	I8156	I8157	I8158

20723 JIFFY KEY CONTROL ASSEMBLY ATTACHMENTS

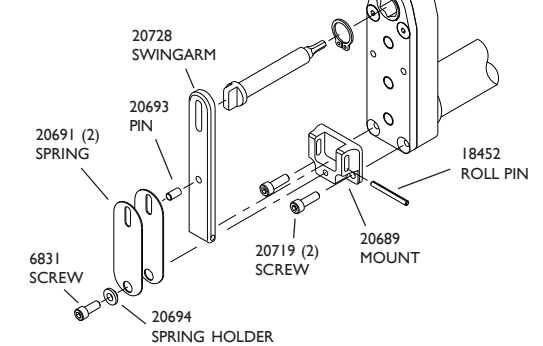
I3204 & I3205 ONLY (4 GEAR)

Reversible or reverse running motor required.



20727 JIFFY KEY CONTROL ASSEMBLY BACK DRIVE ATTACHMENTS

I3204 & I3205 ONLY (4 GEAR)



PHONE: 775 883 1072 FAX: 775 883 4857