

# LTI SERIES 2 120 Inch Lbs / 13.55 Nm



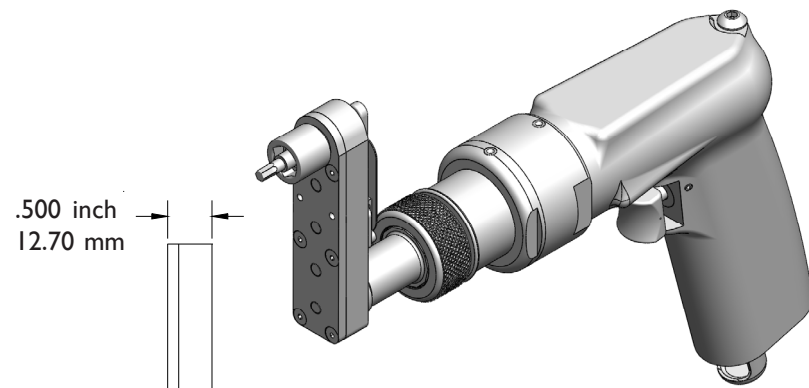
L TYPE INSTALATION .366 inch / 9.30mm center to edge distance

Attachments only

# LTI SERIES 2 120 Inch Lbs / 13.55 Nm

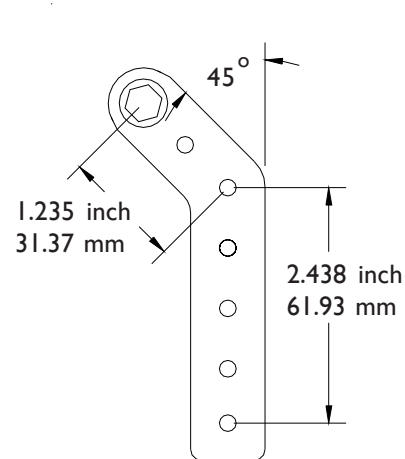
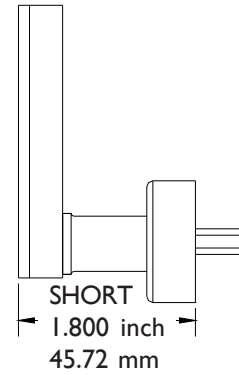
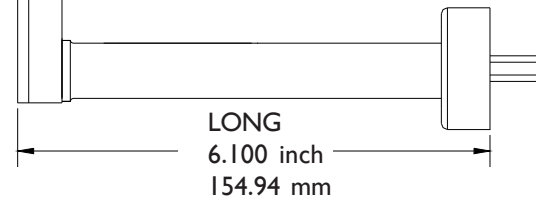


L TYPE INSTALATION .366 inch / 9.30mm center to edge distance

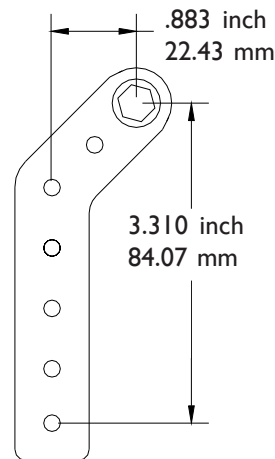


20526 Attachment  
Shown with 17882 .85 hp  
500 RPM offset motor

.500 inch  
12.70 mm

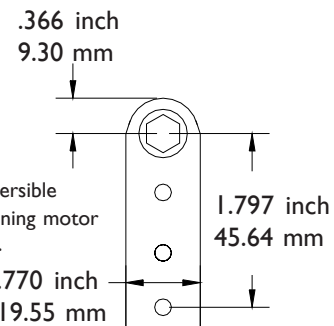


RIGHT HAND  
20519 Long  
20520 Short

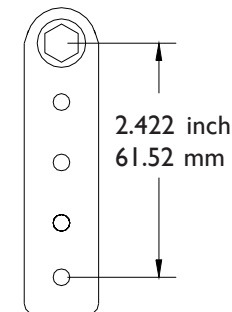


LEFT HAND  
20521 Long  
20522 Short

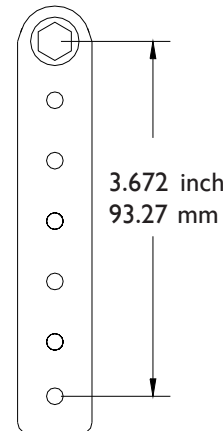
You must select a nose gear to order an attachment. See the nose gear tables for information on the variety of ways our attachments will adapt to your fastener.



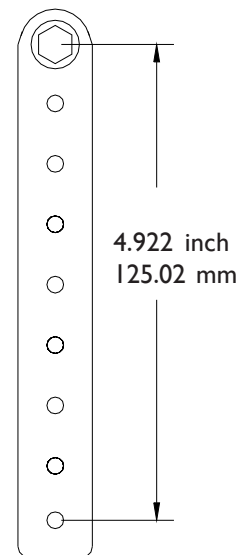
20523\* Long  
20524\* Short



20525 Long  
20526 Short



20527 Long  
20528 Short



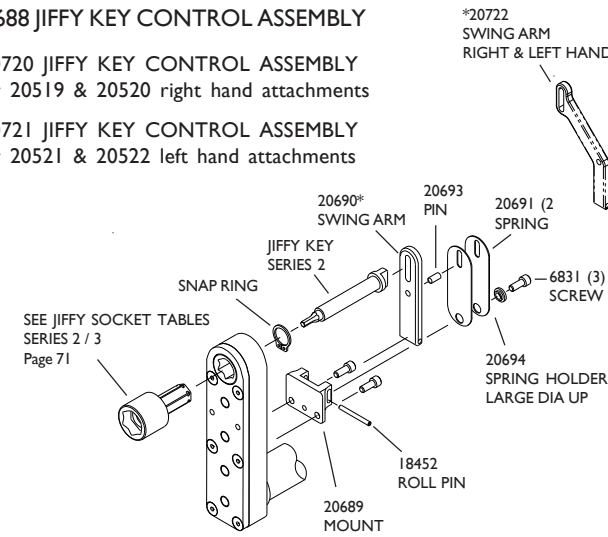
20529 Long  
20530 Short

\* Requires reversible or reverse running motor for front drive.

## 20688 JIFFY KEY CONTROL ASSEMBLY

\*20720 JIFFY KEY CONTROL ASSEMBLY  
For 20519 & 20520 right hand attachments

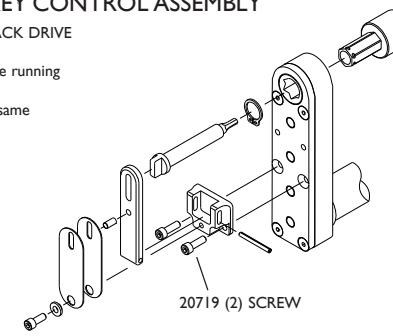
\*20721 JIFFY KEY CONTROL ASSEMBLY  
For 20521 & 20522 left hand attachments



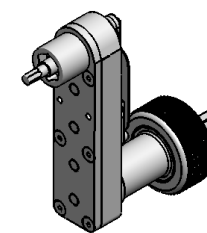
## BACK DRIVE

### 20764 JIFFY KEY CONTROL ASSEMBLY

You must specify BACK DRIVE when ordering. Reversible or reverse running motor required. All parts remain the same except as noted.

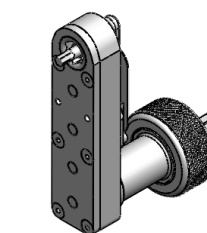


## Nose Gear Selection



The SOCKET DRIVER will adapt the attachment to accept Series 2 / 3 Sockets starting on Page 71. Order with or without the Jiffy Key System.

PART NO.	SIZE	TYPE
15372	9/32	SOCKET DRIVER
15373	1/4	SQ. DRIVE MALE



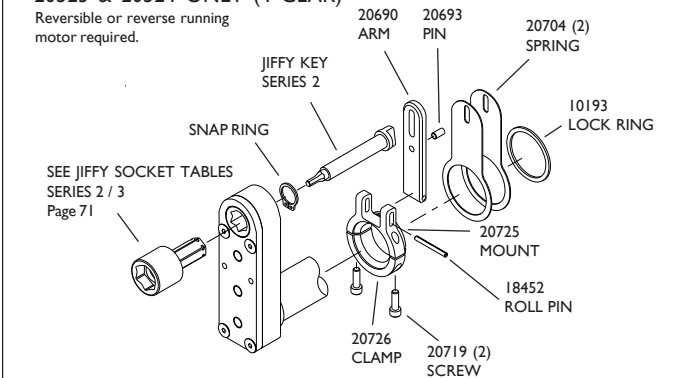
## HEX FLUSH

The socket is built into the nose gear. Choose the Hex Flush gear and Key from the table or order without the Jiffy Key System.

PART NO.	HEX SIZE	TYPE		
15374	7/32	HEX FLUSH		
15375	1/4	HEX FLUSH		
15376	9/32	HEX FLUSH		
15377	5/16	HEX FLUSH		
15460	11/32	HEX FLUSH		
JIFFY KEYS FLUSH				
KEY HEX	1/16	5/64	3/32	1/8
PART NO.	18155	18156	18157	18158

## 20723 JIFFY KEY CONTROL ASSEMBLY ATTACHMENTS

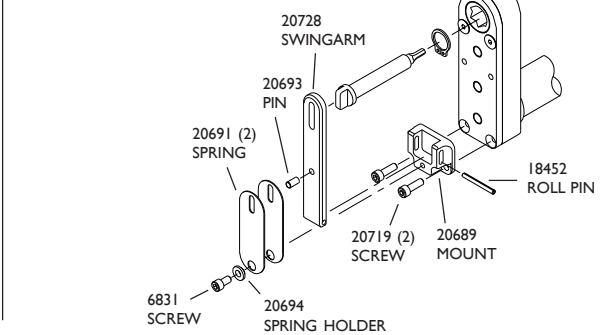
20523 & 20524 ONLY (4 GEAR)  
Reversible or reverse running motor required.



## BACK DRIVE

### 20727 JIFFY KEY CONTROL ASSEMBLY ATTACHMENTS

20523 & 20524 ONLY (4 GEAR)



PHONE: 775 883 1072 FAX: 775 883 4857

PHONE: 775 883 1072 FAX: 775 883 4857