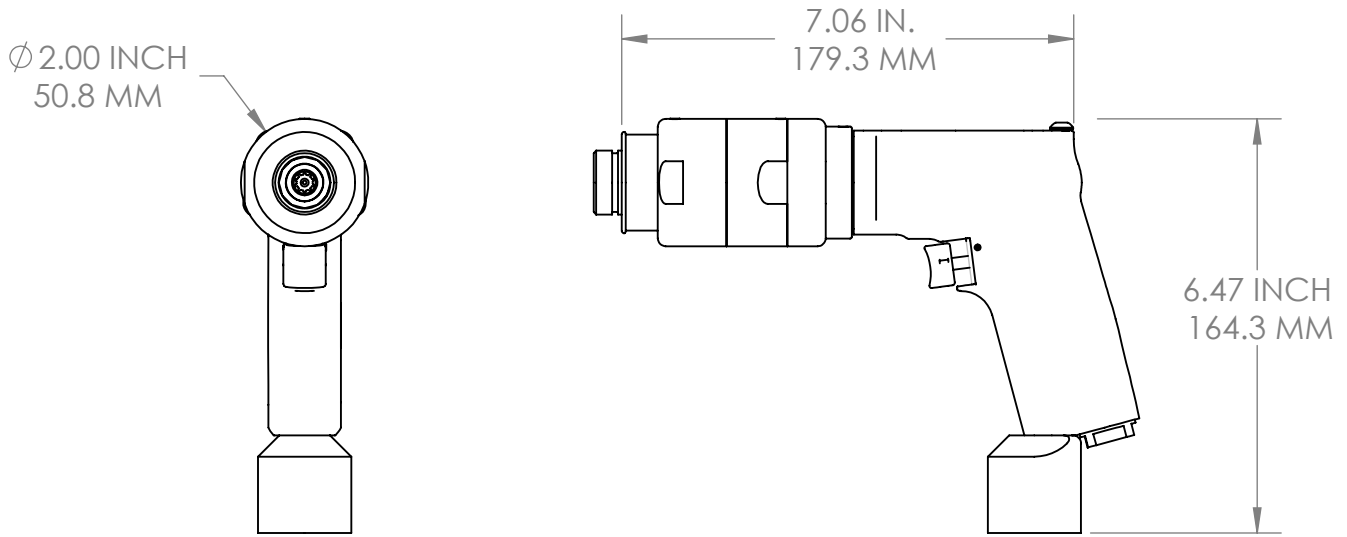


## JIFFY MODULAR INSTALLATION MOTOR (JMI) 1.5 H.P. OFFSET HANDLE

RPM	DRIVE HEX	ROTATION	ORDER NUMBER	WEIGHT
250	1/4	FORWARD	20398	3.48 LB / 1.58 KG
250	3/8	FORWARD	20399	3.48 LB / 1.58 KG



RPM	DRIVE HEX	ROTATION	ORDER NUMBER	WEIGHT
500	1/4	FORWARD	20995	3.10 LB / 1.40 KG
500	3/8	FORWARD	20997	3.10 LB / 1.40 KG

