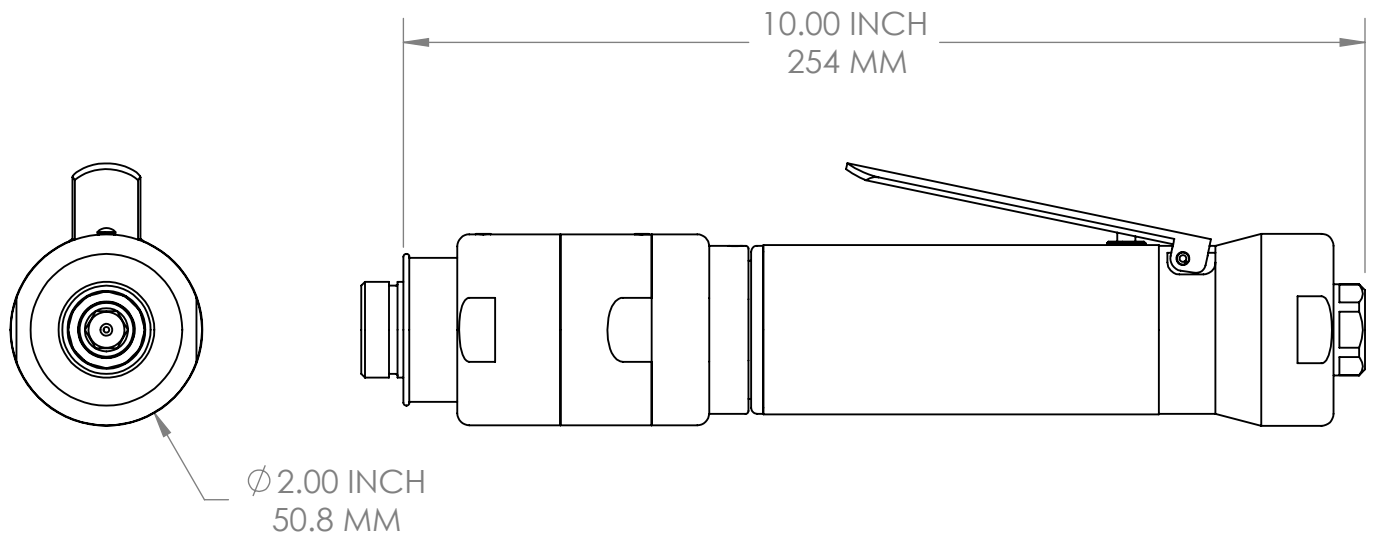


JIFFY MODULAR INSTALLATION MOTOR (JMI) 1.5 H.P. STRAIGHT HANDLE

RPM	DRIVE HEX	ROTATION	ORDER NUMBER	WEIGHT
250	1/4	FORWARD	20396	3.68 LB / 1.58 KG
250	3/8	FORWARD	20397	3.68 LB / 1.58 KG



RPM	DRIVE HEX	ROTATION	ORDER NUMBER	WEIGHT
500	1/4	FORWARD	20994	3.10 LB / 1.41 KG
500	3/8	FORWARD	20996	3.10 LB / 1.41 KG

