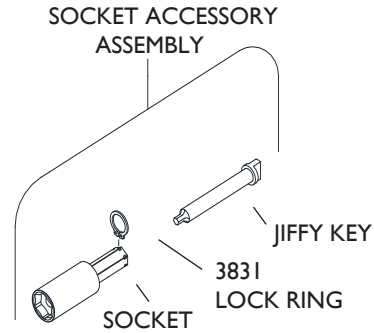
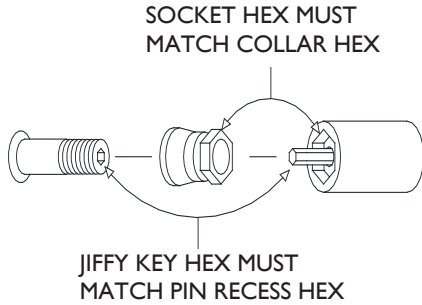


# FITS SERIES 2 & 3 ATTACHMENTS

STALL TYPE INSTALLATION  
1.58mm JIFFY KEY



LENGTH OF SOCKET mm

JIFFY KEY HEX	SOCKET HEX	DESCRIPTION	6.35	12.7	25.4	38.1	50.8	63.5	76.2
1.58mm 1/16"	6mm	SOCKET ACCESSORY ASSEMBLY	21160	21161	21162	21163	21164	21165	21166
		SOCKET	21153	21154	21155	21156	21157	21158	21159
		JIFFY KEY 1.58mm STALL	18127	18128	18129	18130	18131	18132	18133
	7mm	SOCKET ACCESSORY ASSEMBLY	19700	19701	19702	19703	19704	19705	19706
		SOCKET	19616	19617	19618	19619	19620	19621	19622
		JIFFY KEY 1.58mm STALL	18127	18128	18129	18130	18131	18132	18133
	8mm	SOCKET ACCESSORY ASSEMBLY	19707	19708	19709	19710	19711	19712	19713
		SOCKET	19623	19624	19625	19626	19627	19628	19629
		JIFFY KEY 1.58mm STALL	18127	18128	18129	18130	18131	18132	18133
	9.5mm	SOCKET ACCESSORY ASSEMBLY	19714	19715	19716	19717	19718	19719	19720
		SOCKET	19630	19631	19632	19633	19634	19635	19636
		JIFFY KEY 1.58mm STALL	18127	18128	18129	18130	18131	18132	18133

Denotes special use Socket Accessory Assembly for limited access areas.

For best results pins should not protrude through installed collars more than two threads.