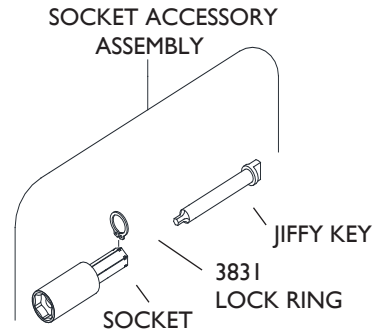
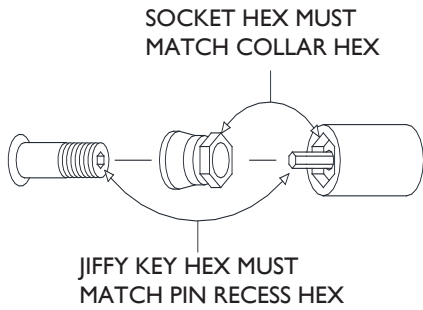


FITS SERIES 2 & 3 ATTACHMENTS



STALL TYPE INSTALLATION
3.17mm JIFFY KEY



LENGTH OF SOCKET mm

JIFFY KEY HEX	SOCKET HEX	DESCRIPTION	6.35	12.7	25.4	38.1	50.8	63.5	76.2
3.17mm 1/8"	9.5mm	SOCKET ACCESSORY ASSEMBLY	21209	21210	21211	21212	21213	21214	21215
		SOCKET	19630	19631	19632	19633	19634	19635	19636
		JIFFY KEY 3.17mm STALL	18148	18149	18150	18151	18152	18153	18154
	10mm	SOCKET ACCESSORY ASSEMBLY	21216	21217	21218	21219	21220	21221	21222
		SOCKET	19637	19638	19639	19640	19641	19642	19643
		JIFFY KEY 3.17mm STALL	18148	18149	18150	18151	18152	18153	18154
	11mm	SOCKET ACCESSORY ASSEMBLY		19820	19821	19822	19823	19824	19825
		SOCKET		19645	19646	19647	19648	19649	19650
		JIFFY KEY 3.17mm STALL		18149	18150	18151	18152	18153	18154
	12mm	SOCKET ACCESSORY ASSEMBLY		19827	19828	19829	19830	19831	19832
		SOCKET		19652	19653	19654	19655	19656	19657
		JIFFY KEY 3.17mm STALL		18149	18150	18151	18152	18153	18154
	13mm	SOCKET ACCESSORY ASSEMBLY		19834	19835	19836	19837	19838	19839
		SOCKET		19659	19660	19661	19662	19663	19664
		JIFFY KEY 3.17mm STALL		18149	18150	18151	18152	18153	18154

Denotes special use Socket Accessory Assembly for limited access areas.

For best results pins should not protrude through installed collars more than two threads.