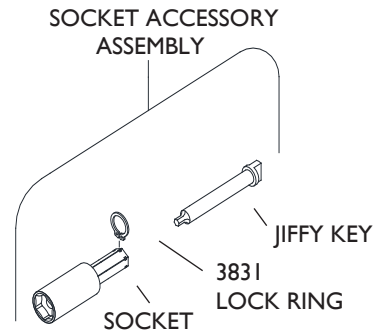
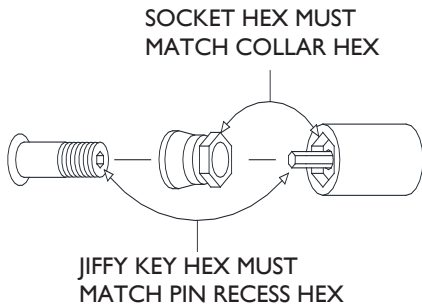


# FITS SERIES 2 & 3 ATTACHMENTS

STALL TYPE INSTALLATION  
3.97mm JIFFY KEY



LENGTH OF SOCKET mm

JIFFY KEY HEX	SOCKET HEX	DESCRIPTION	12.7	25.4	38.1	50.8	63.5	76.2
3.97mm 5/32"	12mm	SOCKET ACCESSORY ASSEMBLY	19869	19870	19871	19872	19873	19874
		SOCKET	19652	19653	19654	19655	19656	19657
		JIFFY KEY 3.97mm STALL	18739	18740	18741	18742	18743	18744
	13mm	SOCKET ACCESSORY ASSEMBLY	19876	19877	19878	19879	19880	19881
		SOCKET	19659	19660	19661	19662	19663	19664
		JIFFY KEY 3.97mm STALL	18739	18740	18741	18742	18743	18744
	14mm	SOCKET ACCESSORY ASSEMBLY	19883	19884	19885	19886	19887	19888
		SOCKET	19666	19667	19668	19669	19670	19671
		JIFFY KEY 3.97mm STALL	18739	18740	18741	18742	18743	18744
	16mm	SOCKET ACCESSORY ASSEMBLY	19897	19898	19899	19900	19001	19002
		SOCKET	19680	19681	19682	19683	19684	19685
		JIFFY KEY 3.97mm STALL	18739	18740	18741	18742	18743	18744
	17mm	SOCKET ACCESSORY ASSEMBLY	19904	19905	19906	19907	19908	19909
		SOCKET	19687	19688	19689	19690	19691	19692
		JIFFY KEY 3.97mm STALL	18739	18740	18741	18742	18743	18744

Denotes special use Socket Accessory Assembly for limited access areas.  
For best results pins should not protrude through installed collars more than two threads.